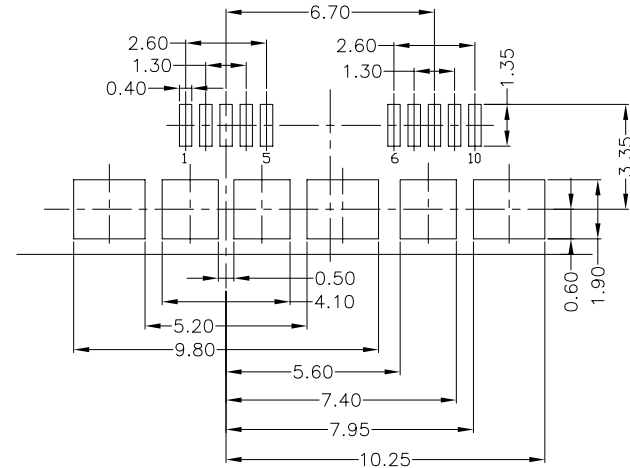
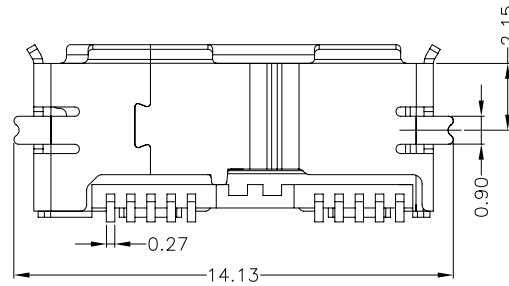




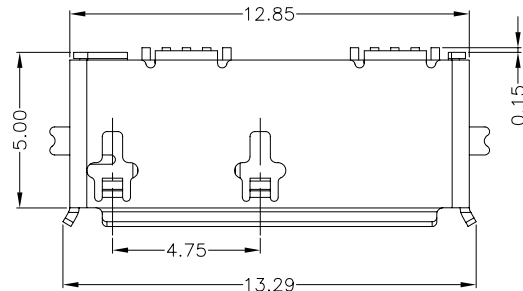
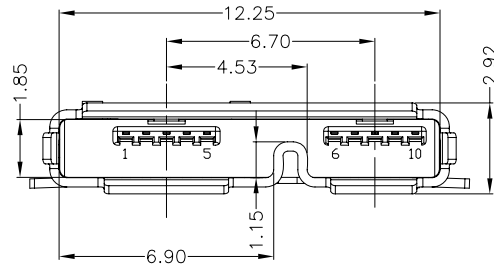
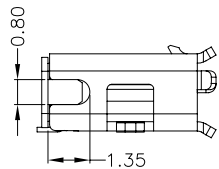
RoHS  
Compliant  
2002/95/EC

REV.	ECN. NO.	APPD.

PIN NUMBER	SIGNAL NAME
1	VBUS
2	D-
3	D+
4	ID
5	GND
6	MICB_SSTX-
7	MICB_SSTX+
8	GND_DRAIN
9	MICB_SSRX-
10	MICB_SSRX+
Shell	Shield



RECOMMENDED PCB LAYOUT



NOTES:

- ELECTRICAL:
  - VOLTAGE CURRENT RATING: 1.0AMP, 30V AC;
  - INSULATION RESISTANCE: 100MΩ MIN;
  - CONTACT RESISTANCE: 30mΩ MAX;
  - WITHSTANDING VOLTAGE: 500V AC;
  - OPERATING TEMPERATURE: -40°C TO +85°C.
- Mechanical:
  - Mating Force: 35N MAX
  - Unmating Force: 8N MIN.
- NOTE: 1. DIMENSIONS MARKED "▼" TO BE CHECKED BY Q.C & IPQC.

4. PART NO.

MUZF-105N-4BHT00

1: Au 1U"  
5: Au 15u"  
6: Au 30u"

W: WHITE  
B: BLACK  
BL: BLUE  
1PBT  
2PA6T  
3PA9T  
4LCP

Bill of materials:

NO	PARTS	MATERIAL	QTY	FINISHING	UNITS	mm	东莞市腾兴电子有限公司									
3	SHELL	STAINLESS STEEL	1	PLATED NICKEL	X. ±0.35	X.' ±2'	TITLE: MICRO USB3.0 AB FEMALE SMT TYPE	PART NO.: MUZF-105N-4BHT00								
2	HOUSING	LCP	1	UL94V-0	.X ±0.3	.X' ±1'						DR: gan 2016/8/31	DWG NO.: AII-HT00			
1	TERMINAL	COPPER ALLOY	10	PLATED GOLD/TIN	.XX ±0.25	.XX'						CHKD: gan 2016/8/31	SCALE	SHEET	REV.	CUSTOMER
					.XXX ±0.15	.XXX'						APPD: gan 2016/8/31	1:1	1/1	B	DRAWING
					THESE DRAWINGS AND SPECIFICATIONS ARE THE PROPERTY OF ACCURATE INNO TECH INC. AND SHALL NOT BE REPRODUCED, COPIED OR USED IN ANY MANNER WITHOUT THE PRIOR WRITTEN CONSENT OF ACCURATE INNO TECH INC.		Q'TY									