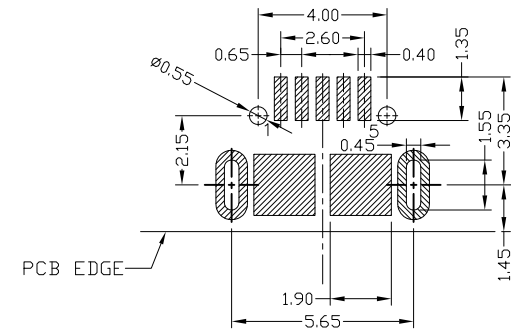
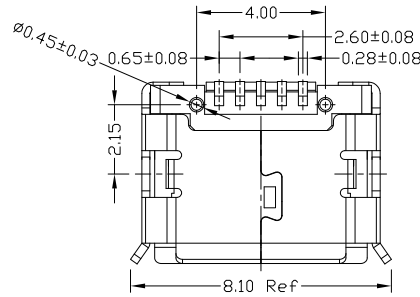
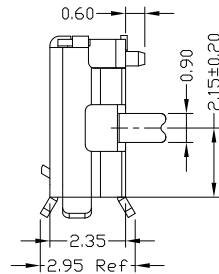
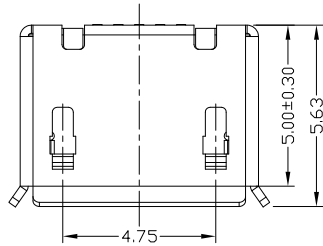
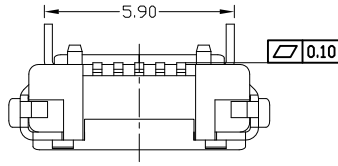




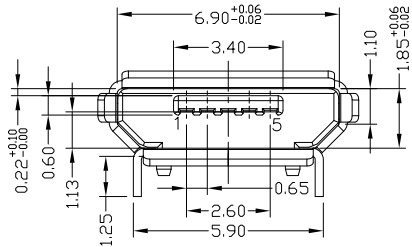
RoHS
Compliant
2002/95/EC

Halogen Free

REV.	ECN.	NO.	APPD.



RECOMMENDED PCB LAYOUT



NOTES:

1.ELECTRICAL:

- 1)VOLTAGE CURRENT RATING: PIN1&5 1.8AMP MAX / PIN2&3&4 1AMP MAX. ,30V AC;
- 2)INSULATION RESISTANCE: 100MΩ MIN;
- 3)CONTACT RESISTANCE: 30mΩ MAX;
- 4)WITHSTANDING VOLTAGE: 100V AC; FOR 1 MIN.
- 5)OPERATING TEMPERATURE: -30°C TO +80°C.

2.Mechanical:

- 1)Mating Force: 35N MAX
 - 2)Unmating Force: 10N MIN.
- 3.DIMENSIONS MARKED "▼" TO BE CHECKED BY Q.C & IPQC.

4.PART NO.

MUYF-05*T-4BHUA039

- | | |
|-----------|---------|
| 1:Au 1U" | W:WHITE |
| 6:Au 30U" | B:BLACK |
| T:TIN | 1:PBT |
| N:NICKEL | 2:PA6T |
| | 3:PA9T |
| | 4:LCP |

Bill of materials:

NO	PARTS	MATERIAL	QTY	FINISHING	UNITS	mm	东莞市腾兴电子有限公司								
3	SHELL	COPPER ALLOY	1	PLATED TIN	X. ±0.35	X.' ±2'	TITLE: MICRO USB B TYPE F 5P 插板5.9脚长1.25有柱	PART NO.: MUYF-05*T-4BHUA039							
2	HOUSING	LCP+30%GF	1	UL94V-0	.X ±0.30	.X' ±1'						DR: Ricky 2018/5/14	DWG NO.: AII-HUA039		
1	TERMINAL	COPPER ALLOY	5	PLATED GOLD	.XX ±0.25	.XX'						CHKD: Ricky 2018/5/14			
NO	PARTS	MATERIAL	QTY	FINISHING	.XXX ±0.15	.XXX'	APPD: Ricky 2018/5/14	SCALE	SHEET	REV.	CUSTOMER DRAWING				

THESE DRAWINGS AND SPECIFICATIONS ARE THE PROPERTY OF ACCURATE INDDTECH AND SHALL NOT BE REPRODUCED, COPIED OR USED IN ANY MANNER WITHOUT THE PRIOR WRITTEN CONSENT OF ACCURATE INDDTECH INC



5:1	1/1	A	CUSTOMER DRAWING
-----	-----	---	------------------