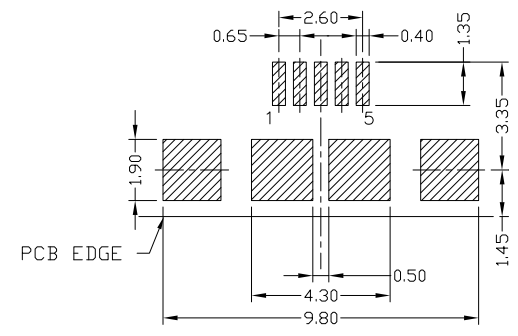
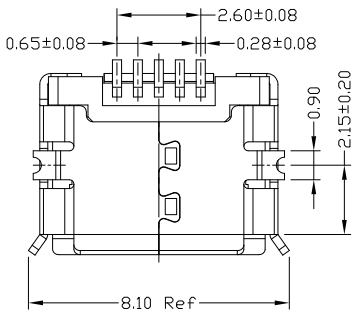
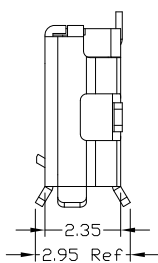
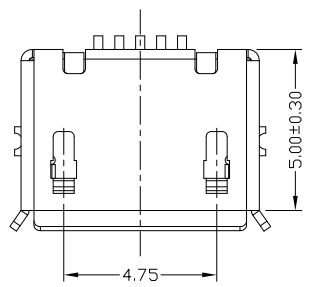
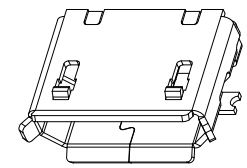
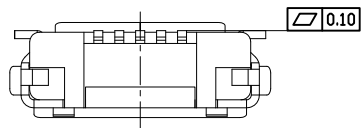
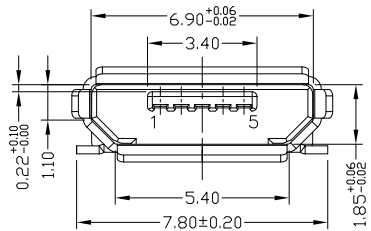

**RoHS Compliant**  
 2002/95/EC  
**Halogen Free**

REV.	ECN.	NO.	APPD.



RECOMMENDED PCB LAYOUT



**NOTES:**

- 1.ELECTRICAL:**
  - 1)VOLTAGE CURRENT RATING: PIN1&5 1.8AMP MAX / PIN2&3&4 1AMP MAX. ,30V AC;
  - 2)INSULATION RESISTANCE: 100MΩ MIN;
  - 3)CONTACT RESISTANCE: 30mΩ MAX;
  - 4)WITHSTANDING VOLTAGE: 100V AC; FOR 1 MIN.
  - 5)OPERATING TEMPERATURE: -30°C TO +80°C.
- 2.Mechanical:**
  - 1)Mating Force: 35N MAX
  - 2)Unmating Force: 10N MIN.
- 3.DIMENSIONS MARKED "▼" TO BE CHECKED BY Q.C & IPQC.**

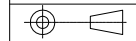
**4.PART NO.**

**MUYF-05\*T-4BHUA148**  
 1:Au 1U"  
 6:Au 30U"  
 T:TIN  
 N:NICKEL  
 W:WHITE  
 B:BLACK  
 1:PBT  
 2:PA6T  
 3:PA9T  
 4:LCP

**Bill of materials:**

3	SHELL	COPPER ALLOY	1	PLATED TIN	X. ±0.35	X.' ±2'	UNITS	mm
2	HOUSING	LCP+30%GF	1	UL94V-0	.X ±0.30	.X' ±1'	MAT'L	SEE NOTE
1	TERMINAL	COPPER ALLOY	5	PLATED GOLD	.XX ±0.25	.XX'	FINISH	SEE NOTE
NO	PARTS	MATERIAL	QTY	FINISHING	.XXX ±0.15	.XXX'	Q'TY	SEE NOTE

THESE DRAWINGS AND SPECIFICATIONS ARE THE PROPERTY OF ACCURATE INNTECH INC AND SHALL NOT BE REPRODUCED, COPIED OR USED IN ANY MANNER WITHOUT THE PRIOR WRITTEN CONSENT OF ACCURATE INNTECH INC



**东莞市腾兴电子有限公司**

TITLE:	MICRO USB B TYPE F 5P SMT 无脚柱锡脚加长0.4	PART NO.:	MUYF-05*T-4BHUA148
DR:	Ricky 2018/5/8	DWG NO.:	AII-HUA148
CHKD:	Ricky 2018/5/8	SCALE	5:1
APPD:		SHEET	1/1
		REV.	A
		CUSTOMER DRAWING	