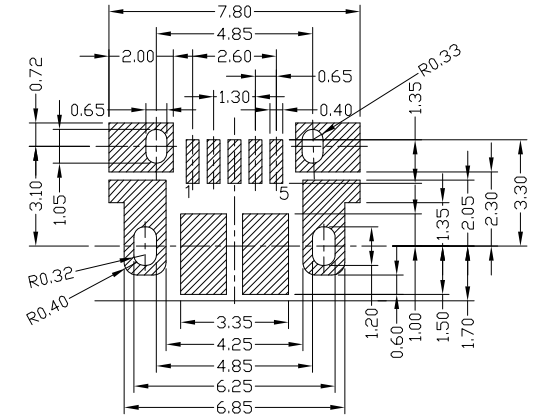
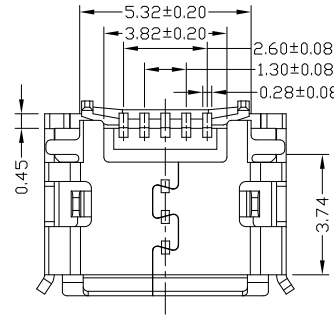
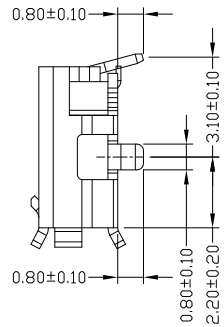
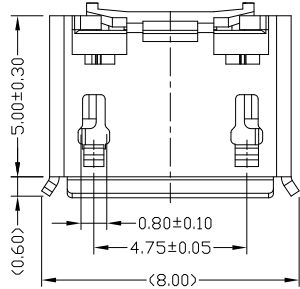
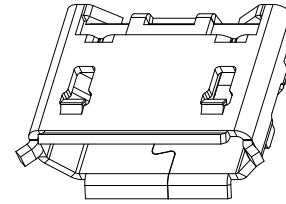
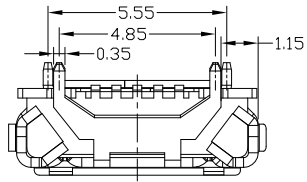




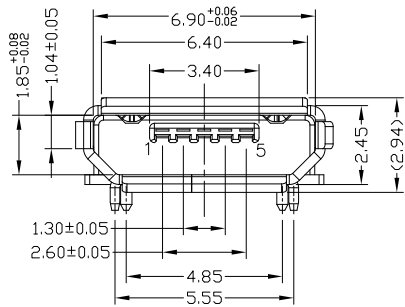
RoHS Compliant  
2002/95/EC

Halogen Free

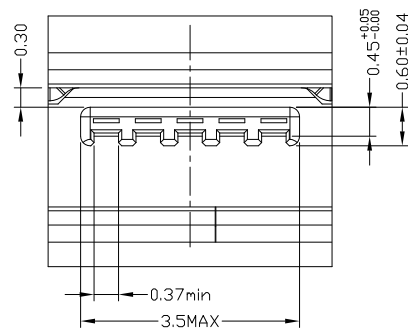
REV.	ECN. NO.	APPD.



RECOMMENDED PCB PATTERN  
Tolerance:±0.05



(INSIDE INTERSECTION)



CONTACT AREA DETAIL VIEW

NOTES:

1.ELECTRICAL:

- 1)VOLTAGE CURRENT RATING:PIN1&5 1.8AMP MAX / PIN2&3&4 1AMP MAX. ,30V AC;
- 2)INSULATION RESISTANCE: 100MΩ MIN;
- 3)CONTACT RESISTANCE: 30mΩ MAX;
- 4)WITHSTANDING VOLTAGE: 100V AC; FOR 1 MIN.
- 5)OPERATING TEMPERATURE:-30°C TO +80°C.

2.Mechanical:

- 1)Mating Force: 35N MAX
- 2)Unmating Force: 10N MIN.

3.DIMENSIONS MARKED "▼" TO BE CHECKED BY Q.C & IPQC.

4.PART NO.

MUYF-05\*T-4BHUA167

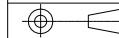
- 1:1U" W:WHITE
- 6:30U" B:BLACK
- T:TIN 1:PBT
- N:NICKEL 2:PA6T
- 3:PA9T
- 4:LCP

Bill of materials:

NO	PARTS	MATERIAL	QTY	FINISHING
3	SHELL	STAINLESS STEEL	1	PLATED TIN
2	HOUSING	LCP+30%GF	1	UL94V-0
1	TERMINAL	COPPER ALLOY	5	PLATED GOLD

X.	X.*	UNITS
±0.35	±2°	mm
±0.30	±1°	MAT'L
±0.25	*	SEE NOTE
±0.15	*	FINISH
		SEE NOTE
		Q'TY

THESE DRAWINGS AND SPECIFICATIONS ARE THE PROPERTY OF ACCURATE INDDTECH INC AND SHALL NOT BE REPRODUCED, COPIED OR USED IN ANY MANNER WITHOUT THE PRIOR WRITTEN CONSENT OF ACCURATE INDDTECH INC



东莞市腾兴电子有限公司

TITLE: MICRO USB B TYPE F 5P 牛角型斜后盖插板5.55	PART NO.: MUYF-05*T-4BHUA167
DR: Ricky 2018/4/30	DWG NO.: AII-HUA167
CHKD: Ricky 2018/4/30	SCALE SHEET REV. CUSTOMER DRAWING 4:1 1/1 A
APPD:	