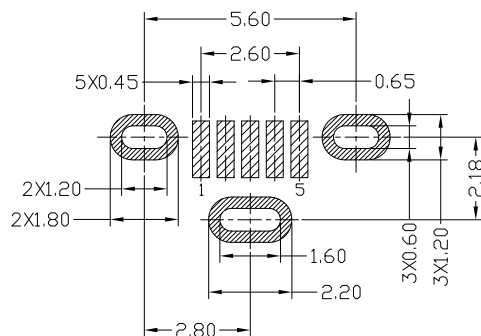
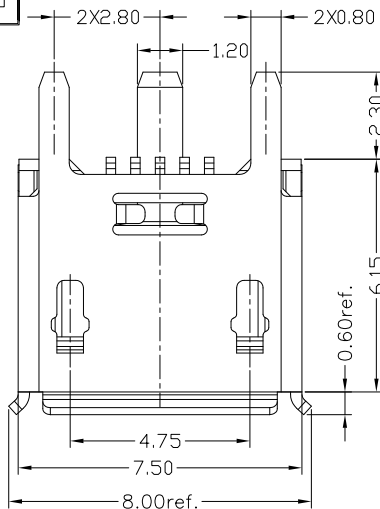




RoHS  
Compliant  
2002/95/EC

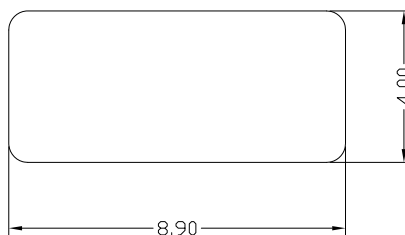
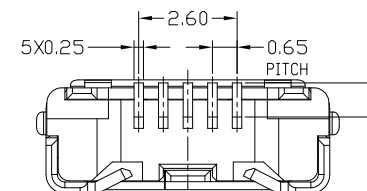
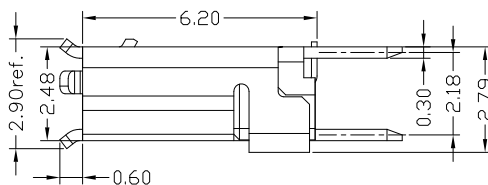
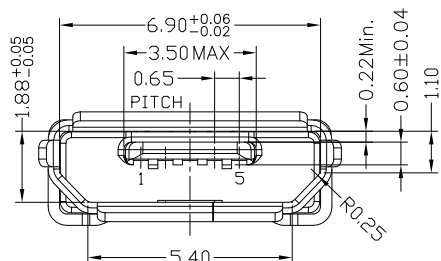
REV	LTR	DESCRIPTION	DATE	REVISER	APPD



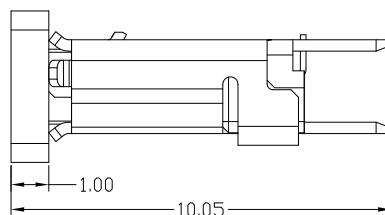
RECOMMENDED PCB LAYOUT(TOP VIEW)  
GENERAL TOLERANCES:±0.05

PIN	NAME
5	GND
4	ID
3	D+
2	D-
1	VBUS

PIN ASSIGNMENT



CAP DIMENSION SKETCH MAP

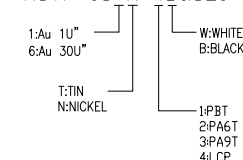


NOTES:

- ELECTRICAL:
  - VOLTAGE CURRENT RATING:PIN1&5 1.8AMP MAX / PIN2&3&4 0.5AMP MAX, .30V AC;
  - INSULATION RESISTANCE: 100MΩ MIN;
  - CONTACT RESISTANCE: 30mΩ MAX;
  - WITHSTANDING VOLTAGE: 100V AC; FOR 1 MIN.
  - OPERATING TEMPERATURE:-30°C TO +80°C.
- Mechanical:
  - Mating Force: 35N MAX
  - Unmating Force: 8N MIN.
- DIMENSIONS MARKED "▼" TO BE CHECKED BY Q.C & IPQC.

4. PART NO.

MUYF-05\*N-4BQS20



Bill of materials:

NO	PARTS	MATERIAL	QTY	FINISHING	.X	±0.30	X.*	±10*	UNITS	mm
5					.X	±0.30	X.*	±10*	UNITS	mm
4	CAP	LCP+30%GF	1	UL94V-0	.XX	±0.20	.X*	±8*	MAT'L	
3	SHELL	STAINLESS STEEL	1	PLATED NICKEL	.XXX	±0.10	.XX*	±5*	SEE NOTE	
2	CONTACT	COPPER ALLOY	5	PLATED GOLD					SEE NOTE	
1	HOUSING	LCP+30%GF	1	UL94V-0					Q'TY	

THESE DRAWINGS AND SPECIFICATIONS ARE THE PROPERTY OF ACCURATE INNOTECH INC AND SHALL NOT BE REPRODUCED, COPIED OR USED IN ANY MANNER WITHOUT THE PRIOR WRITTEN CONSENT OF ACCURATE INNOTECH INC.

<b>东莞市腾兴电子有限公司</b>			
TITLE: MICRO USB B TYPE F 5P 180度 SMT 有翻边外壳3支脚		PART NO.: MUYF-05XN-4BQS20	
DR: <i>Ricky</i> 2018/07/03		DWG NO.: AII-QS20	
CHKD: <i>Ricky</i> 2018/07/03		SCALE	SHEET
APPD:		1:1	1/1
		REV.	CUSTOMER DRAWING
		B	