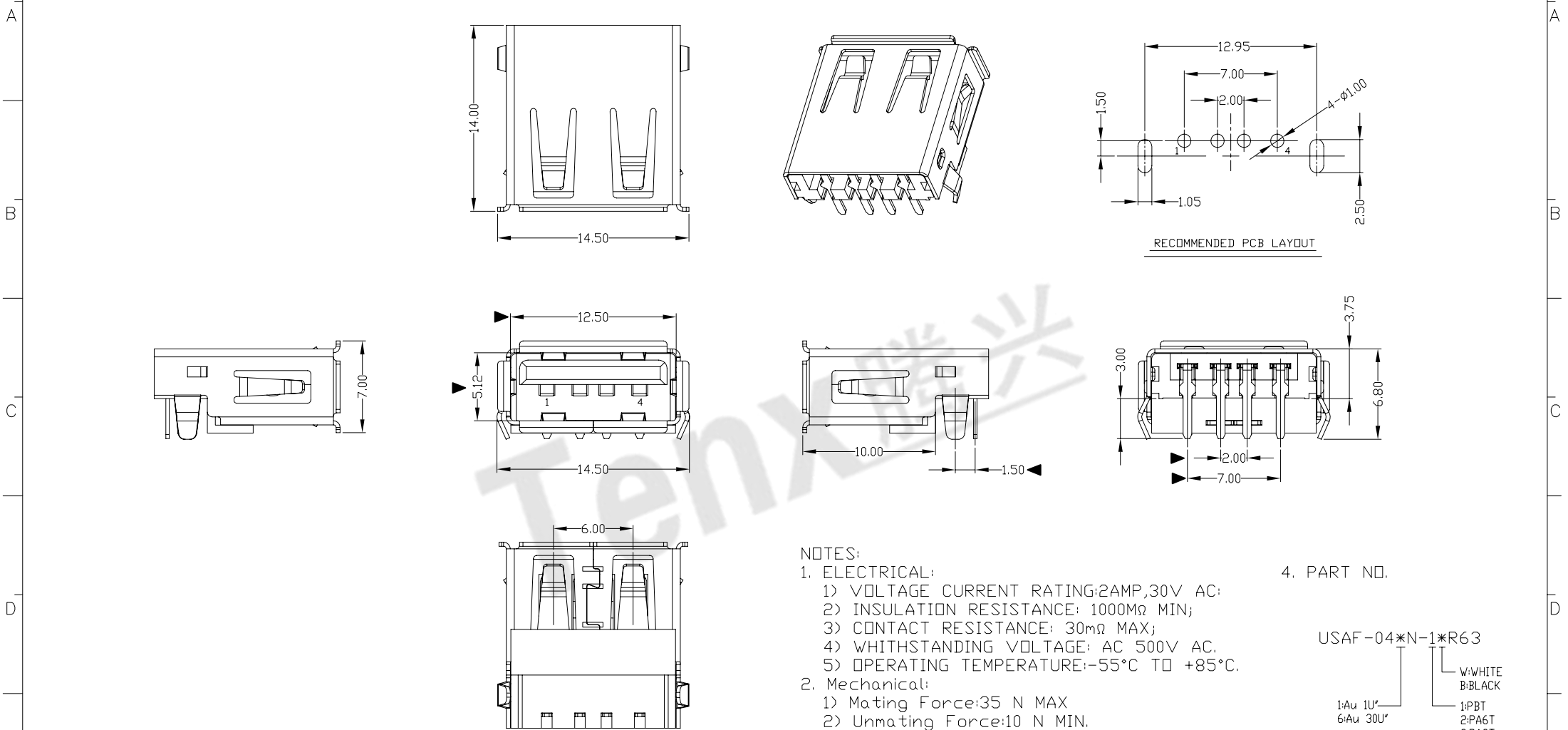




RoHS  
Compliant  
2002/95/EC

REV.	ECN.	NO.	APPD.



NOTES:

- ELECTRICAL:
  - VOLTAGE CURRENT RATING: 2AMP, 30V AC;
  - INSULATION RESISTANCE: 1000MΩ MIN;
  - CONTACT RESISTANCE: 30mΩ MAX;
  - WITHSTANDING VOLTAGE: AC 500V AC.
  - OPERATING TEMPERATURE: -55°C TO +85°C.
- Mechanical:
  - Mating Force: 35 N MAX
  - Unmating Force: 10 N MIN.
- DIMENSIONS MARKED "▼" TO BE CHECKED BY Q.C & IPQC.

4. PART NO.

USAF-04\*N-1\*R63

1: Au 1U\*  
6: Au 30U\*  
W: WHITE  
B: BLACK  
1: PBT  
2: PA6T  
3: PA9T  
4: LCP

Bill of materials:

NO	PARTS	MATERIAL	QTY	FINISHING						
3	HOUSING	PBT	1	UL94V-0	X. ±0.35	X.* ±2*	UNITS	mm	<b>东莞市腾兴电子有限公司</b>	
2	SHELL	COPPER ALLOY	1	PLATED NICKEL	.X ±0.3	.X* ±1*	MAT'L	SEE NOTE		
1	TERMINAL	COPPER ALLOY	4	PLATED GOLD/TIN	.XX ±0.25	.XX*	FINISH	SEE NOTE		
					.XXX ±0.15	.XXX*	Q'TY	SEE NOTE		
					<small>THESE DRAWINGS AND SPECIFICATIONS ARE THE PROPERTY OF ACCURATE INNOTECH INC AND SHALL NOT BE REPRODUCED, COPIED OR USED IN ANY MANNER WITHOUT THE PRIOR WRITTEN CONSENT OF ACCURATE INNOTECH INC.</small>					
							<b>东莞市腾兴电子有限公司</b>			
							TITLE: USB AF 90° 沉板4E短脚		PART NO.: USAF-04*N-1*R63	
							DR: gan 2012/6/29		DWG NO.: AII-R63	
							CHKD: gan 2012/6/29		SCALE SHEET REV. CUSTOMER DRAWING	
							APPD:		1:1 1/1 B	