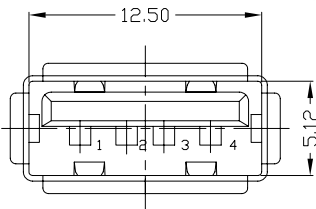
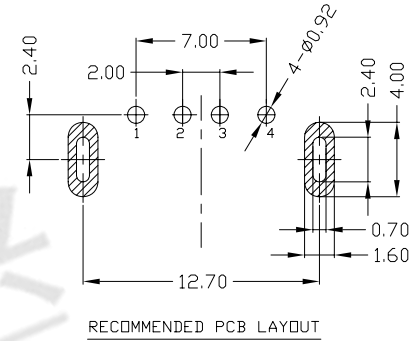
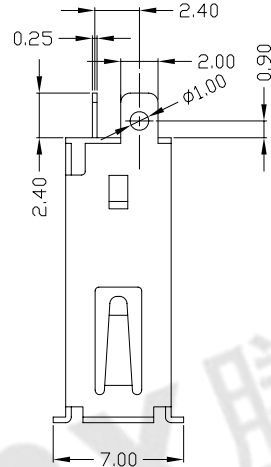
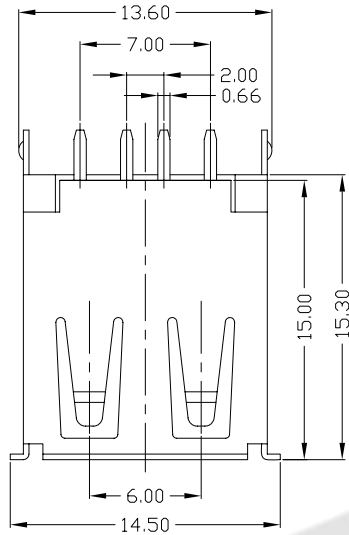




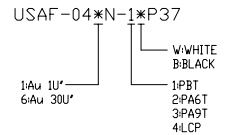
RoHS  
Compliant  
2002/95/EC

REV.	ECN.	NO.	APPD.



- NOTES:
- ELECTRICAL:
    - VOLTAGE CURRENT RATING: 2AMP, 30V AC;
    - INSULATION RESISTANCE: 1000M ΩMIN;
    - CONTACT RESISTANCE: 30m ΩMAX;
    - WITHSTANDING VOLTAGE: 500V AC;
    - OPERATING TEMPERATURE: -55°C TO +85°C.
  - Mechanical:
    - Mating Force: 35N MAX
    - Unmating Force: 10N MIN.
  - DIMENSIONS MARKED '▼' TO BE CHECKED BY Q.C & IPQC.

4. PART NO.



Bill of materials:

NO	PARTS	MATERIAL	QTY	FINISHING	X. ±0.35	X.' ±2'	UNITS	东莞市腾兴电子有限公司						
					.X ±0.3	.X' ±1'	mm							
3	HOUSING	PBT+30%GF	1	UL94V-0	.XX ±0.25	.XX'	MAT'L	SEE NOTE	TITLE:	PART NO.:				
2	SHELL	COPPER ALLOY	1	PLATED NICKEL	.XXX ±0.15	.XXX'	FINISH	SEE NOTE	USB AF 180° 插板长体(直脚)	USAF-04*N-1*P37				
1	TERMINAL	COPPER ALLOY	4	PLATED GOLD/TIN	THESE DRAWINGS AND SPECIFICATIONS ARE THE PROPERTY OF ACCURATE INNOVATECH INC AND SHALL NOT BE REPRODUCED, COPIED OR USED IN ANY MANNER WITHOUT THE PRIOR WRITTEN CONSENT OF ACCURATE INNOVATECH INC.			Q'TY	DR:	gan 2014/09/26		DWG NO.:		
								APPD:	gan 2014/09/26		AII-P37			
								SCALE	1:1	SHEET	1/1	REV.	B	CUSTOMER DRAWING