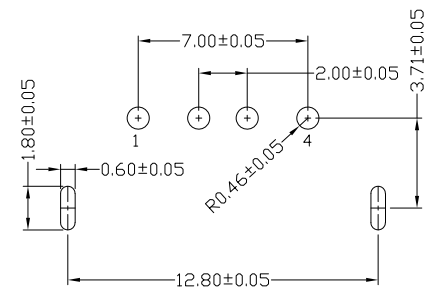
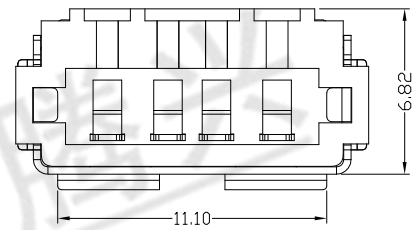
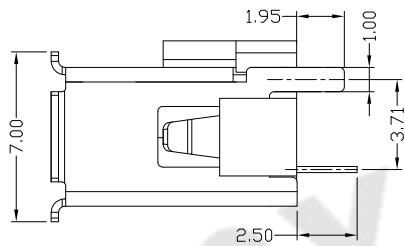
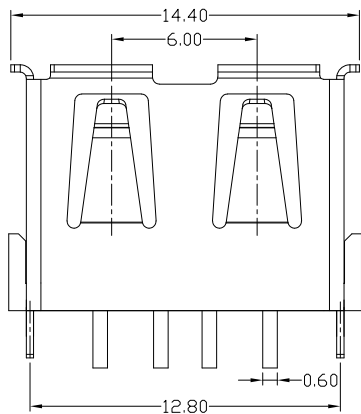
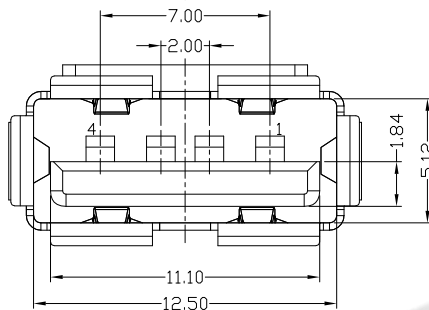
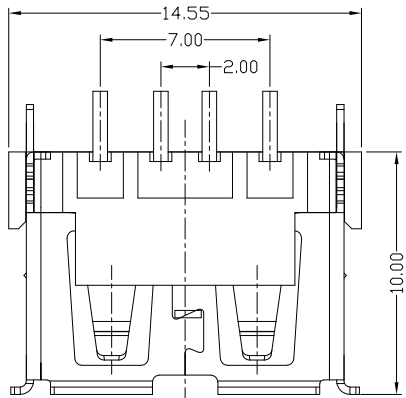




RoHS
Compliant
2002/95/EC

REV.	ECN.	NO.	APPD.



RECOMMENDED PCB LAYOUT

NOTES:
 1.ELECTRICAL:
 1) VOLTAGE CURRENT RATING: 2AMP, 30V AC;
 2) INSULATION RESISTANCE: 1000MΩ MIN;
 3) CONTACT RESISTANCE: 30mΩ MAX;
 4) WITHSTANDING VOLTAGE: 500V AC FOR 1MIN;
 5) OPERATING TEMPERATURE: -55°C TO +85°C.
 2.Mechanical:
 1) Mating Force: 35N MAX
 2) Unmating Force: 10N MIN.
 3. DIMENSIONS MARKED "▼"
 TO BE CHECKED BY Q.C & IPQC.

4.PART NO.
 USAF-04*N-1*PU00
 1:Au 1U"
 6:Au 30U"
 W: WHITE
 B: BLACK
 1:PBT
 2:PA6T
 3:PA9T
 4:LCP

Bill of materials:

NO	PARTS	MATERIAL	QTY	FINISHING
3	HOUSING	PBT+30%GF	1	UL94V-0
2	SHELL	COPPER ALLOY	1	PLATED NICKEL
1	TERMINAL	COPPER ALLOY	4	PLATED GOLD/TIN

东莞市腾兴电子有限公司			
TITLE: USB AF DIP 180度 短体10.0卷边		PART NO.: USAF-04XN-1XPU00	
DR: Ricky 2018/10/16		DWG NO.: AII-PU00	
CHKD: Ricky 2018/10/16		SCALE: 1:1	SHEET: 1/1
APPD:		REV: A	CUSTOMER DRAWING

THESE DRAWINGS AND SPECIFICATIONS ARE THE PROPERTY OF ACCURATE INNDTECHING AND SHALL NOT BE REPRODUCED, COPIED OR USED IN ANY MANNER WITHOUT THE PRIOR WRITTEN CONSENT OF ACCURATE INNDTECH INC

