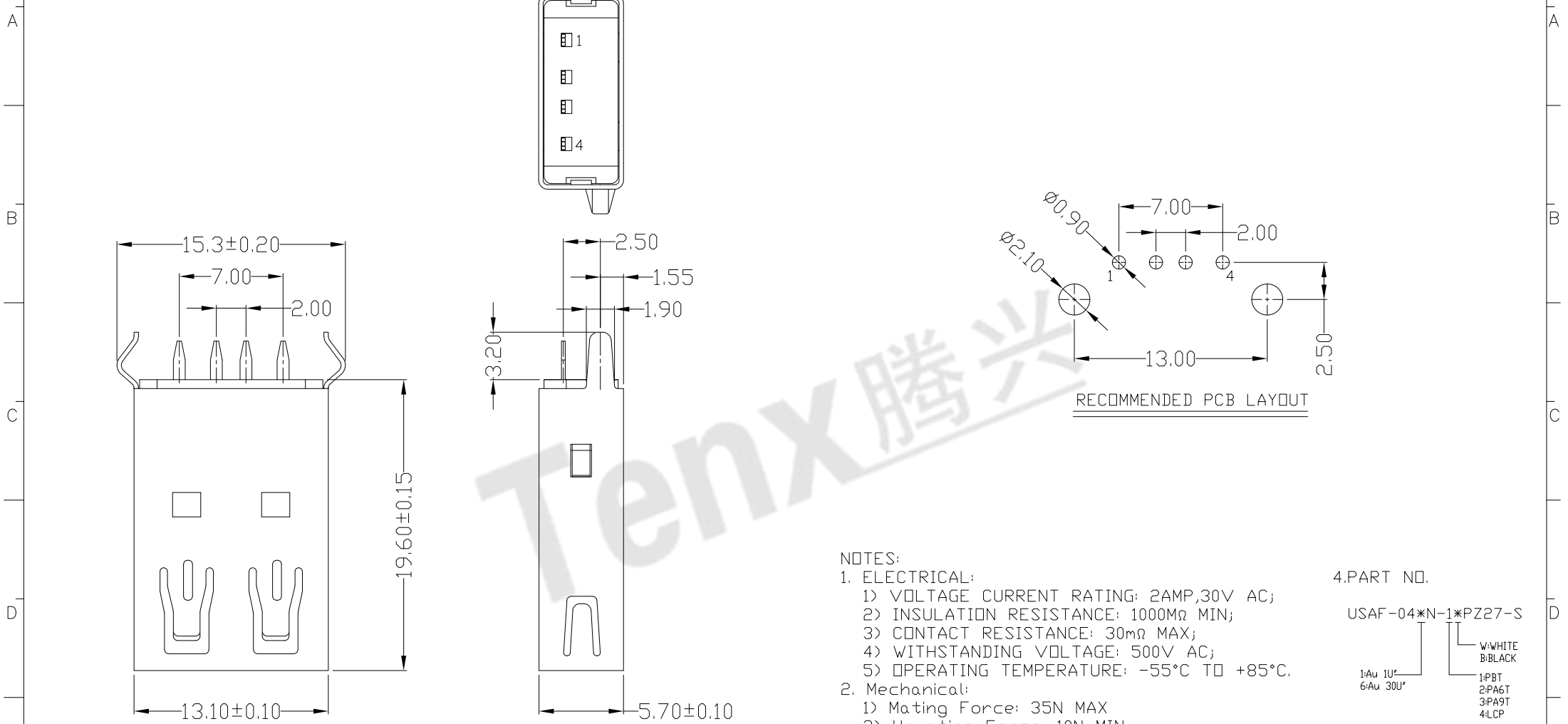




RoHS  
Compliant  
2002/95/EC

REV	LTR	DESCRIPTION	DATE	REVISER	APPD



NOTES:

- ELECTRICAL:
  - VOLTAGE CURRENT RATING: 2AMP,30V AC;
  - INSULATION RESISTANCE: 1000MΩ MIN;
  - CONTACT RESISTANCE: 30mΩ MAX;
  - WITHSTANDING VOLTAGE: 500V AC;
  - OPERATING TEMPERATURE: -55°C TO +85°C.
- Mechanical:
  - Mating Force: 35N MAX
  - Unmating Force: 10N MIN.
- NOTE:1.DIMENSIONS MARKED "▼"  
TO BE CHECKED BY Q.C & IPQC.

4.PART NO.

USAF-04*N-1*PZ27-S	W/WHITE B/BLACK
1Au 1U <sup>2</sup> 6Au 30U <sup>2</sup>	1PBT 2PA6T 3PA9T 4LCP

Bill of materials:

NO	PARTS	MATERIAL	QTY	FINISHING	X. ±0.35	X.' ±2'	UNITS	东 莞 市 腾 兴 电 子 有 限 公 司	
					.X ±0.3	.X' ±1'	mm		
3	HOUSING	PBT+30%GF	1	UL94V-0	.XX ±0.25	.XX'	MAT'L	TITLE: USB AF DIP 180度 全包 无卷边弯脚有后塞 19.6 DR: Ricky 2018/11/22 CHKD: Ricky 2018/11/22 APPD:	
2	SHELL	SPCC	1	PLATED NICKEL	.XXX ±0.15	.XXX'	SEE NOTE		PART NO.: USAF-04XN-1XPZ27-S
1	TERMINAL	COPPER ALLOY	4	PLATED GOLD/TIN	THESE DRAWINGS AND SPECIFICATIONS ARE THE PROPERTY OF ACCURATE INNOTECH INC AND SHALL NOT BE REPRODUCED, COPIED OR USED IN ANY MANNER WITHOUT THE PRIOR WRITTEN CONSENT OF ACCURATE INNOTECH INC.		FINISH SEE NOTE		DWG NO.: AII-PZ27-S
							Q'TY		SCALE SHEET REV. CUSTOMER 1:1 1/1 B DRAWING