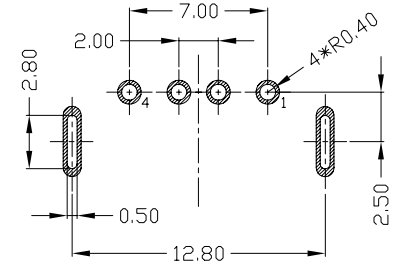
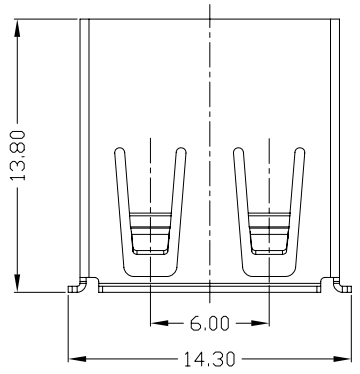


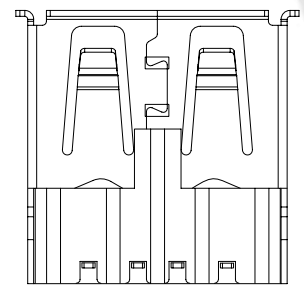
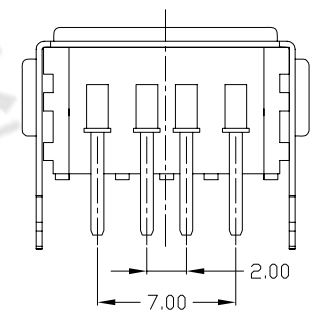
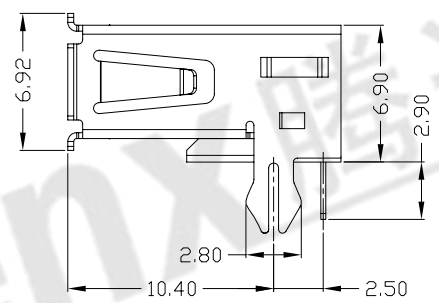
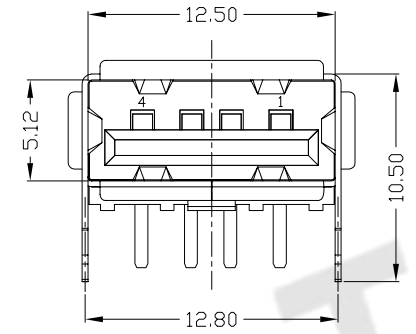


RoHS  
Compliant  
2002/95/EC

REV.	ECN.	NO.	APPD.



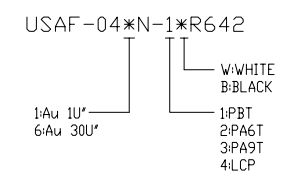
RECOMMENDED PCB LAYOUT



NOTES:

- ELECTRICAL:
  - VOLTAGE CURRENT RATING: 2AMP, 30V AC;
  - INSULATION RESISTANCE: 1000MΩMIN;
  - CONTACT RESISTANCE: 30mΩMAX;
  - WITHSTANDING VOLTAGE: 500V AC;
  - OPERATING TEMPERATURE: -55°C TO +85°C.
- Mechanical:
  - Mating Force: 35N MAX
  - Unmating Force: 10N MIN.
- DIMENSIONS MARKED "▼" TO BE CHECKED BY Q.C & IPQC.

4. PART NO.



Bill of materials:

NO	PARTS	MATERIAL	QTY	FINISHING	X. ±0.35	X.* ±2*	UNITS	mm	东莞市腾兴电子有限公司					
					.X ±0.3	.X.* ±1*	MAT'L							
3	HOUSING	PBT+30%GF	1	UL94V-0	.XX ±0.25	.XX*	SEE NOTE	SEE NOTE	TITLE: USB AF DIP 90度 反向鱼叉脚 单层 T型 无后盖	PART NO.: USAF-04*N-1*R642				
2	SHELL	COPPER ALLOY/SPCC/ STAINLESS STEEL	1	PLATED NICKEL	.XXX ±0.15	.XXX*	SEE NOTE	SEE NOTE	DR: gan 2016/9/20	DWG NO.: AII-R642				
1	TERMINAL	COPPER ALLOY	4	PLATED GOLD/TIN	THESE DRAWINGS AND SPECIFICATIONS ARE THE PROPERTY OF ACCURATE INNO TECH INC AND SHALL NOT BE REPRODUCED, COPIED OR USED IN ANY MANNER WITHOUT THE PRIOR WRITTEN CONSENT OF ACCURATE INNO TECH INC.				FINISH	CHKD: gan 2016/9/20	SCALE	SHEET	REV.	CUSTOMER DRAWING
NO	PARTS	MATERIAL	QTY	FINISHING					Q'TY	APPD:	1:1	1/1	B	