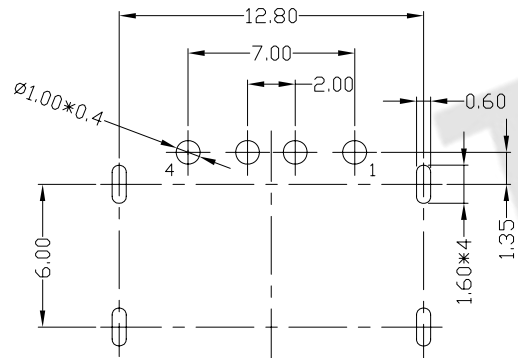
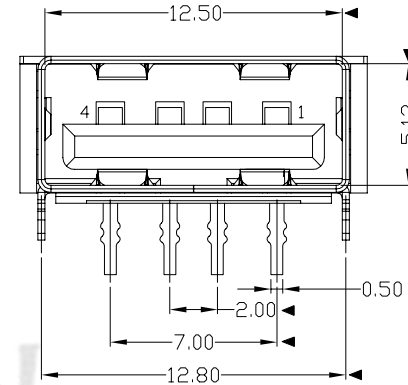
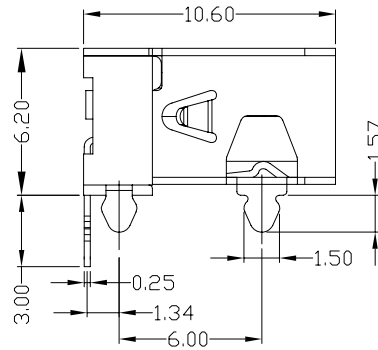
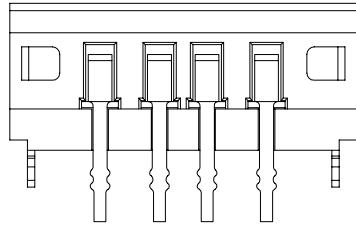


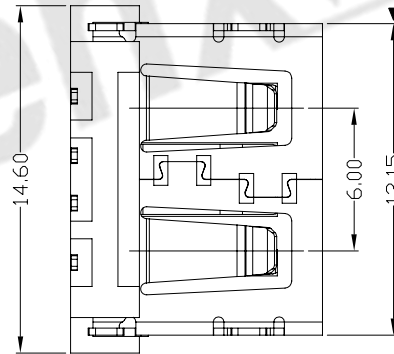


RoHS  
Compliant  
2002/95/EC

REV.	ECN.	NO.	APPD.



RECOMMENDED PCB LAYOUT



NOTES:

1. ELECTRICAL:

- 1) VOLTAGE CURRENT RATING: 2AMP, 30V AC;
- 2) INSULATION RESISTANCE: 1000M $\Omega$  MIN;
- 3) CONTACT RESISTANCE: 30m $\Omega$  MAX;
- 4) WITHSTANDING VOLTAGE: 500V AC;
- 5) OPERATING TEMPERATURE: -55°C TO +85°C.

2. Mechanical:

- 1) Mating Force: 35N MAX
- 2) Unmating Force: 10N MIN.

3. NOTE: 1. DIMENSIONS MARKED "▼" TO BE CHECKED BY Q.C & IPQC.

4. PART NO.

USAF-04\*N-1\*R806

1: Au 1U\*  
6: Au 30U\*  
W: WHITE  
B: BLACK  
1: PBT  
2: PA6T  
3: PA9T  
4: LCP

Bill of materials:

NO	PARTS	MATERIAL	QTY	FINISHING	UNITS	mm	东莞市腾兴电子有限公司					
3	HOUSING	PBT	1	UL94V-0	X. $\pm 0.35$	X.* $\pm 2^*$	SEE NOTE	TITLE: USB A/F 90° DIP 短體 反向 端子腳加長1.0		PART NO.: USAF-04*N-1*R806		
2	SHELL	COPPER ALLOY	1	PLATED NICKEL	.XX $\pm 0.3$	.X.* $\pm 1^*$						
1	TERMINAL	COPPER ALLOY	4	PLATED GOLD/TIN	.XXX $\pm 0.15$	.XXX.*	SEE NOTE	CHKD: gan 2012/07/03	SCALE	SHEET	REV.	CUSTOMER DRAWING
					Q'TY	APPD: gan 2012/07/03	1:1	1/1	B			

THESE DRAWINGS AND SPECIFICATIONS ARE THE PROPERTY OF ACCURATE INNTECH INC AND SHALL NOT BE REPRODUCED, COPIED OR USED IN ANY MANNER WITHOUT THE PRIOR WRITTEN CONSENT OF ACCURATE INNTECH INC.

