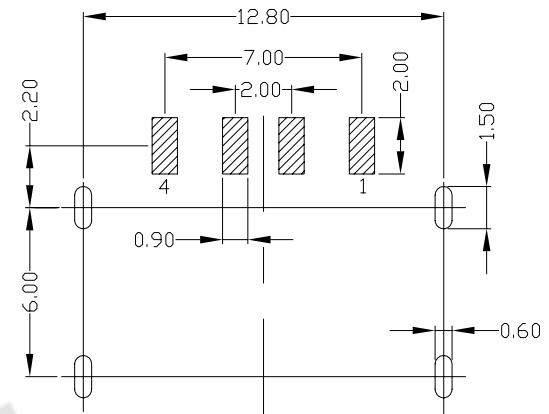
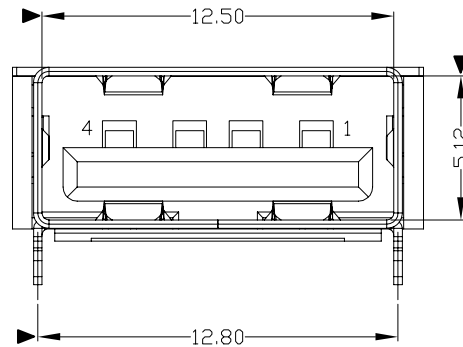
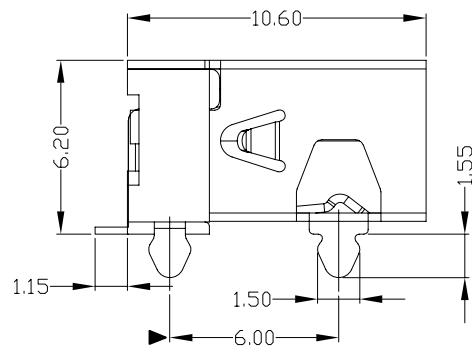


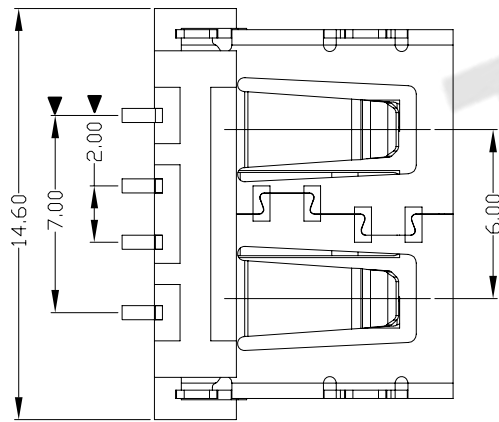


RoHS
Compliant
2002/95/EC

| REV. | ECN. | NO. | APPD. |
|------|------|-----|-------|
| | | | |
| | | | |
| | | | |



RECOMMENDED PCB LAYOUT



NOTES:

- ELECTRICAL:
 - VOLTAGE CURRENT RATING: 2AMP, 30V AC;
 - INSULATION RESISTANCE: 1000MΩ MIN;
 - CONTACT RESISTANCE: 30mΩ MAX;
 - WITHSTANDING VOLTAGE: 500V AC;
 - OPERATING TEMPERATURE: -55°C TO +85°C.
- Mechanical:
 - Mating Force: 35N MAX
 - Unmating Force: 10N MIN.
- NOTE: 1. DIMENSIONS MARKED "▼"
TO BE CHECKED BY Q.C & IPQC.

4. PART NO.

USAF-04*N-**V81

1:Au 1U"
6:Au 30U"

W: WHITE
B: BLACK

1: PBT
2: PA6T
3: PA9T
4: LCP

Bill of materials:

| | | | | | | | | | | | | | | | | |
|----|----------|--------------|-----|-----------------|---|---------|--------|----------|-------------|---------------|--|-----|----------|---------------------------------|------|------------------|
| 3 | HOUSING | LCP/PBT | 1 | UL94V-0 | X. ±0.35 | X.* ±2* | UNITS | mm | 东莞市腾兴电子有限公司 | | | | | | | |
| 2 | SHELL | COPPER ALLOY | 1 | PLATED NICKEL | .X ±0.3 | .X* ±1* | MAT'L | SEE NOTE | | | | | TITLE: | USB A/F 90° SMT 短体铜壳(10.6反向) | | |
| 1 | TERMINAL | COPPER ALLOY | 4 | PLATED GOLD/TIN | .XXX ±0.15 | .XXX* | FINISH | SEE NOTE | DR: | gan 2012/7/03 | | | DWG NO.: | AII-V81 | | |
| NO | PARTS | MATERIAL | QTY | FINISHING | THESE DRAWINGS AND SPECIFICATIONS ARE THE PROPERTY OF ACCURATE INNOTECH INC AND SHALL NOT BE REPRODUCED, COPIED OR USED IN ANY MANNER WITHOUT THE PRIOR WRITTEN CONSENT OF ACCURATE INNOTECH INC. | | | Q'TY | CHKD: | gan 2012/7/03 | | | SCALE | SHEET | REV. | CUSTOMER DRAWING |
| | | | | | | | | APPD: | | | | 1:1 | 1/1 | B | | |