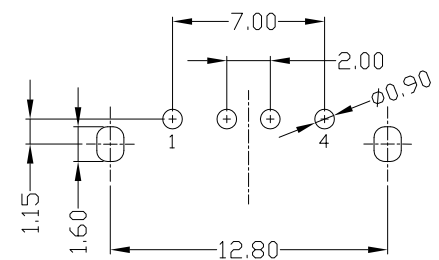
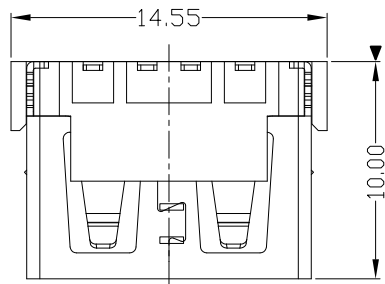


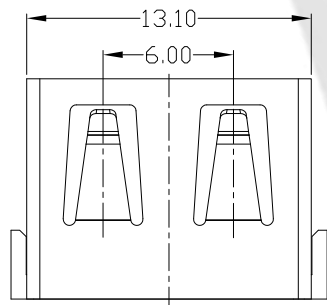
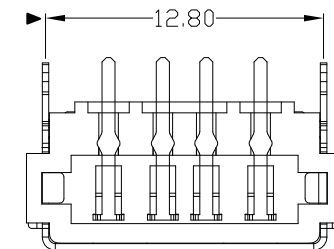
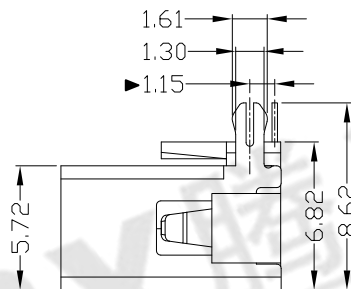
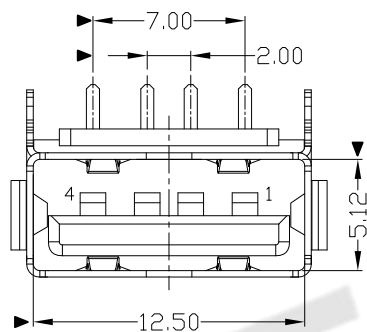


RoHS
Compliant
2002/95/EC

REV	LTR	DESCRIPTION	DATE	REVISER	APPD



RECOMMENDED PCB LAYOUT



NOTES:

- ELECTRICAL:
 - VOLTAGE CURRENT RATING: 2AMP, 30V AC;
 - INSULATION RESISTANCE: 1000MΩ MIN;
 - CONTACT RESISTANCE: 30mΩ MAX;
 - WITHSTANDING VOLTAGE: 500V AC;
 - OPERATING TEMPERATURE: -55°C TO +85°C.
- Mechanical:
 - Mating Force: 35N MAX
 - Unmating Force: 10N MIN.
- NOTE: 1. DIMENSIONS MARKED "▼"
TO BE CHECKED BY Q.C & IPQC.

4. PART NO.

USAF-04*N-1*RU00

W: WHITE
B: BLACK
1: PBT
2: PA6T
3: PA9T
4: LCP
1: Au 1U
6: Au 30U

Bill of materials:

NO	PARTS	MATERIAL	QTY	FINISHING	UNITS	mm	东莞市腾兴电子有限公司					
3	HOUSING	PBT	1	UL94V-0	X. ±0.35	X.' ±2'	MAT'L	TITLE:		PART NO.:		
2	SHELL	COPPER ALLOY	1	PLATED NICKEL	.X ±0.3	.X' ±1'		SEE NOTE	USB AF 短体正向(两脚) 无卷边		USAF-04*N-1*RU00	
1	TERMINAL	COPPER ALLOY	4	PLATED GOLD/TIN	.XX ±0.25	.XX'	FINISH	DR: gan 2015/7/14		DWG NO.:		
					.XXX ±0.15	.XXX'	SEE NOTE	CHKD: gan 2015/7/14		AII-RU00		
					THESE DRAWINGS AND SPECIFICATIONS ARE THE PROPERTY OF ACCURATE INNTECH INC AND SHALL NOT BE REPRODUCED, COPIED OR USED IN ANY MANNER WITHOUT THE PRIOR WRITTEN CONSENT OF ACCURATE INNTECH INC.		Q'TY	APPD:	SCALE	SHEET	REV.	CUSTOMER DRAWING
									1:1	1/1	B	