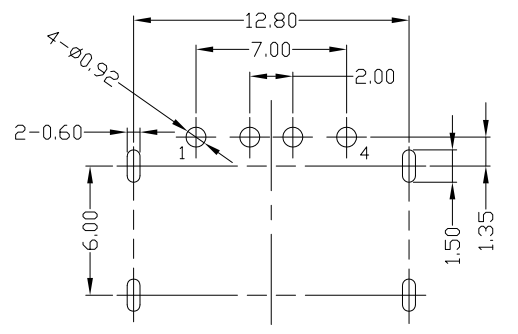
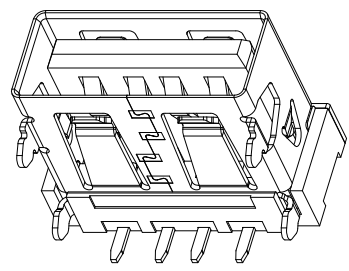
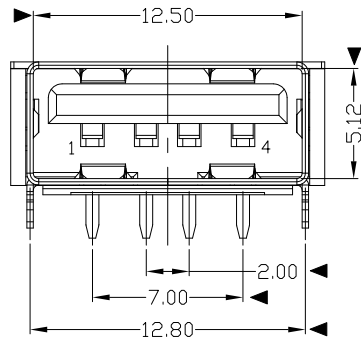


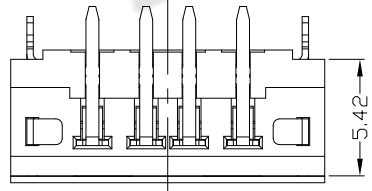
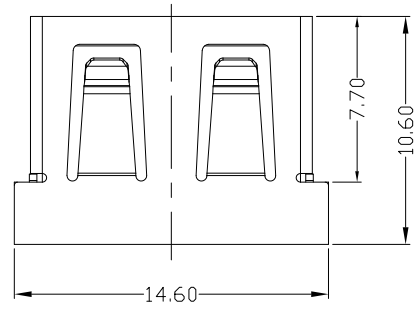
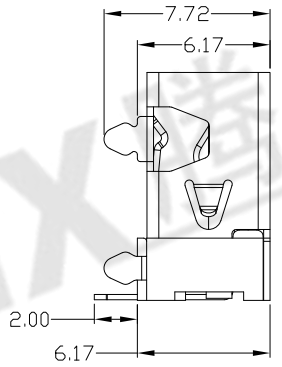
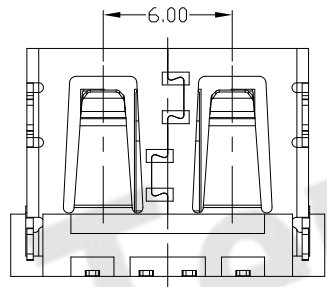
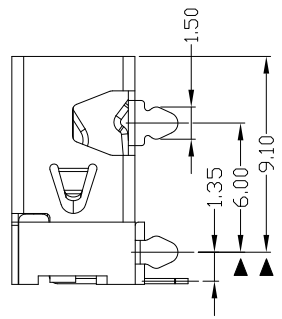


RoHS  
Compliant  
2002/95/EC

| REV. | ECN. | NO. | APPD. |
|------|------|-----|-------|
|      |      |     |       |
|      |      |     |       |



RECOMMENDED PCB LAYOUT



NOTES:

- ELECTRICAL:
  - VOLTAGE CURRENT RATING: 2AMP, 30V AC;
  - INSULATION RESISTANCE: 1000MΩMIN;
  - CONTACT RESISTANCE: 30mΩ MAX;
  - WITHSTANDING VOLTAGE: 500V AC;
  - OPERATING TEMPERATURE: -55°C TO +85°C.
- Mechanical:
  - Mating Force: 35N MAX
  - Unmating Force: 10N MIN.
- NOTE: 1. DIMENSIONS MARKED "▼" TO BE CHECKED BY Q.C & IPQC.

4.PART NO.

USAF-04\*N-\*\*\*R602  
 1:Au 1U"  
 6:Au 30U"  
 W:WHITE  
 B:BLACK  
 1:PBT  
 2:PA6T  
 3:PA9T  
 4:LCP

Bill of materials:

| NO | PARTS    | MATERIAL     | QTY | FINISHING       | UNITS   | mm      | 东莞市腾兴电子有限公司 |   |       |                                |      |                     |
|----|----------|--------------|-----|-----------------|---|---------|-------------|---|-------|--------------------------------|------|---------------------|
| 3  | HOUSING  | PBT/LCP      | 1   | UL94V-0         | X. ±0.35  | X.' ±2' | MAT'L       | TITLE:<br>USB A/F 90° DIP 短体 10.6<br>弹片方形 |       | PART NO.:<br>USAF-04*N-***R602 |      |                     |
| 2  | SHELL    | COPPER ALLOY | 1   | PLATED NICKEL   | .X ±0.3   | .X' ±1' |             |   |       |                                |      |                     |
| 1  | TERMINAL | COPPER ALLOY | 4   | PLATED GOLD/TIN | .XX ±0.25   | .XX'    | FINISH      | CHKD: gan 2012/6/29                       | SCALE | SHEET                          | REV. | CUSTOMER<br>DRAWING |
|    |          |              |     |                 | .XXX ±0.15  | .XXX'   | SEE NOTE    | APPD:                                     | 1:1   | 1/1                            | B    |                     |
|    |          |              |     |                 | THESE DRAWINGS AND SPECIFICATIONS ARE THE PROPERTY OF ACCURATE INNOVATECH INC AND SHALL NOT BE REPRODUCED, COPIED OR USED IN ANY MANNER WITHOUT THE PRIOR WRITTEN CONSENT OF ACCURATE INNOVATECH INC. |         | Q'TY        |   |       |                                |      |                     |