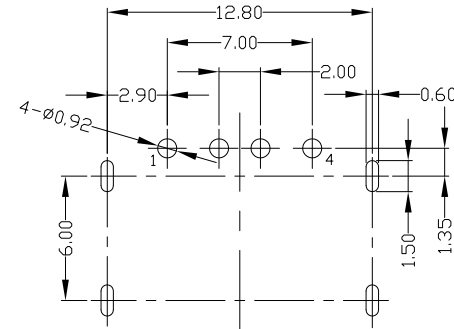
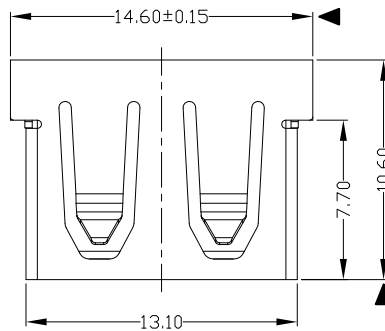


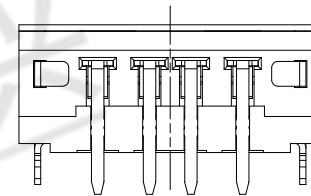
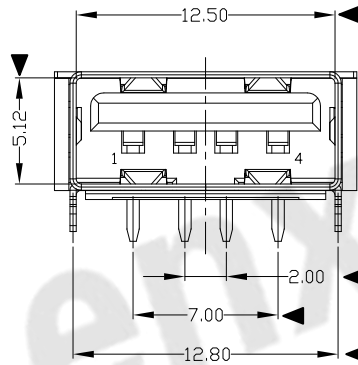
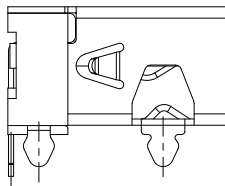


RoHS
Compliant
2002/95/EC

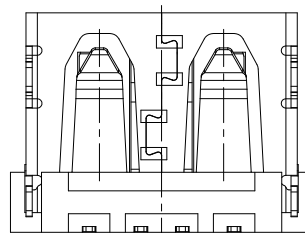
REV.	ECN.	NO.	APPD.



RECOMMENDED PCB LAYOUT



外壳铆合面视图



NOTES:

- ELECTRICAL:
 - VOLTAGE CURRENT RATING: 2AMP, 30V AC;
 - INSULATION RESISTANCE: 1000MΩ MIN;
 - CONTACT RESISTANCE: 30mΩ MAX;
 - WITHSTANDING VOLTAGE: 500V AC;
 - OPERATING TEMPERATURE: -55°C TO +85°C.
- Mechanical:
 - Mating Force: 35N MAX
 - Unmating Force: 10N MIN.
- NOTE: 1. DIMENSIONS MARKED "▼" TO BE CHECKED BY Q.C & IPQC.

4. PART NO.

USAF-04*N-***R607

1: Au 1U"
6: Au 30U"

W: WHITE
B: BLACK
1: PBT
2: PA6T
3: PA9T
4: LCP

Bill of materials:

NO	PARTS	MATERIAL	QTY	FINISHING	UNITS	mm	东莞市腾兴电子有限公司					
3	HOUSING	PBT/LCP	1	UL94V-0	X. ±0.35	X.' ±2'	SEE NOTE	TITLE: USB A/F 90° DIP 短体(10.6) 弹片尖角形		PART NO.: USAF-04*N-***R607		
2	SHELL	COPPER ALLOY	1	PLATED NICKEL	.X ±0.3	.X' ±1'		DR: gan 2012/6/29	DWG NO.: A11-R607		SCALE SHEET REV. CUSTOMER DRAWING	
1	TERMINAL	COPPER ALLOY	4	PLATED GOLD/TIN	.XX ±0.25	.XX'		CHKD: gan 2012/6/29	1:1	1/1	B	
					.XXX ±0.15	.XXX'	APPD: gan 2012/6/29					
					THESE DRAWINGS AND SPECIFICATIONS ARE THE PROPERTY OF ACCURATE INNOVATECH INC AND SHALL NOT BE REPRODUCED, COPIED OR USED IN ANY MANNER WITHOUT THE PRIOR WRITTEN CONSENT OF ACCURATE INNOVATECH INC.		Q'TY					