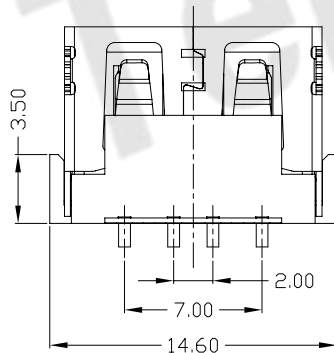
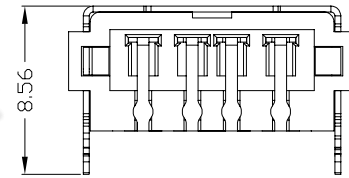
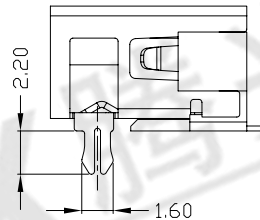
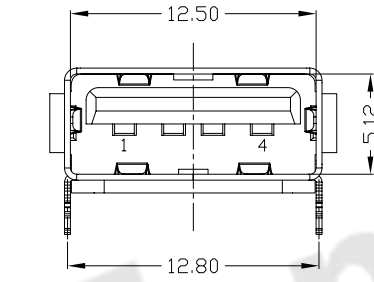
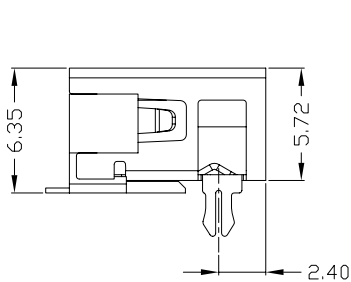
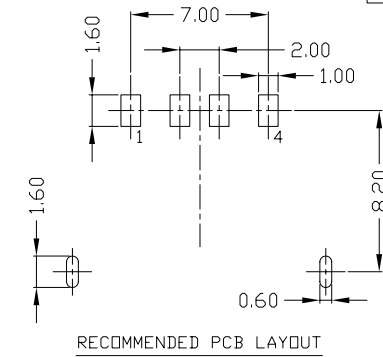
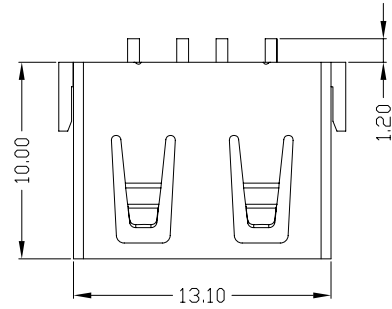




RoHS  
Compliant  
2002/95/EC

REV.	ECN.	NO.	APPD.



NOTES:

1. ELECTRICAL:

- 1) VOLTAGE CURRENT RATING: 2AMP, 30V AC;
- 2) INSULATION RESISTANCE: 1000MΩMIN;
- 3) CONTACT RESISTANCE: 30mΩMAX;
- 4) WITHSTANDING VOLTAGE: 500V AC;
- 5) OPERATING TEMPERATURE: -55°C TO +85°C.

2. Mechanical:

- 1) Mating Force: 35N MAX
- 2) Unmating Force: 10N MIN.

3. DIMENSIONS MARKED "▼" TO BE CHECKED BY Q.C & IPQC.

4. PART NO.

USAF-04\*N-4\*V612  
 1:Au 1U\*  
 6:Au 30U\*  
 W:WHITE  
 B:BLACK  
 1PBT  
 2PA6T  
 3PA9T  
 4LCP

Bill of materials:

NO	PARTS	MATERIAL	QTY	FINISHING	UNITS	mm	东莞市腾兴电子有限公司						
3	HOUSING	LCP+30%GF	1	UL94V-0	X. ±0.35	X.* ±2*	SEE NOTE	TITLE: USB AF SMT10.0 无卷边 外壳两前脚		PART NO.: USAF-04*N-4*V612			
2	SHELL	COPPER ALLOY	1	PLATED NICKEL	.X ±0.3	.X* ±1*		SEE NOTE	DR: gan 2016/9/20		DWG NO.: AII-V612		
1	TERMINAL	COPPER ALLOY	4	PLATED GOLD/TIN	.XX ±0.25	.XX*			FINISH	CHKD: gan 2016/9/20		SCALE	SHEET
NO	PARTS	MATERIAL	QTY	FINISHING	.XXX ±0.15	.XXX*	Q'TY	APPD:	1:1	1/1	B		

THESE DRAWINGS AND SPECIFICATIONS ARE THE PROPERTY OF ACCURATE INNO TECH INC AND SHALL NOT BE REPRODUCED, COPIED OR USED IN ANY MANNER WITHOUT THE PRIOR WRITTEN CONSENT OF ACCURATE INNO TECH INC.

