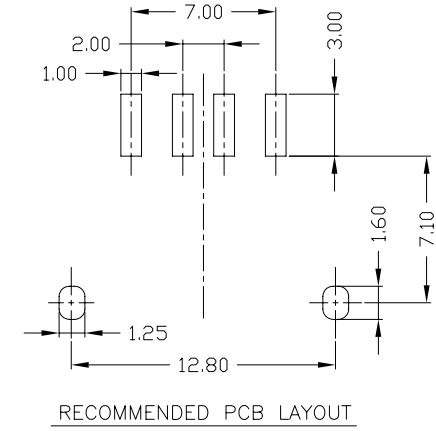
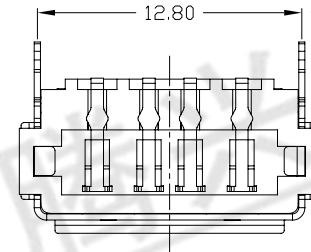
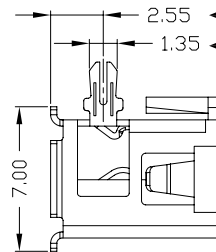
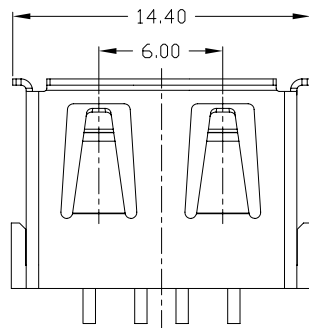
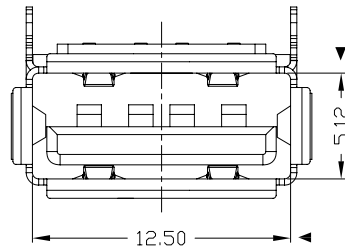
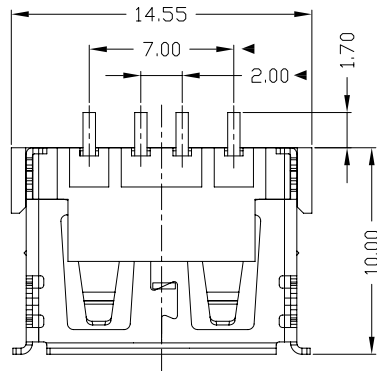




RoHS
Compliant
2002/95/EC

REV	LTR	DESCRIPTION	DATE	REVISER	APPD



NOTES:

- ELECTRICAL:
 - VOLTAGE CURRENT RATING: 2AMP, 30V AC;
 - INSULATION RESISTANCE: 1000MΩ MIN;
 - CONTACT RESISTANCE: 30mΩ MAX;
 - WITHSTANDING VOLTAGE: 500V AC;
 - OPERATING TEMPERATURE: -55°C TO +85°C.
- Mechanical:
 - Mating Force: 35N MAX
 - Unmating Force: 10N MIN.
- NOTE: 1. DIMENSIONS MARKED "▼" TO BE CHECKED BY Q.C & IPQC.

4. PART NO.

USAF-04*N-5*VU00

- 1: Au 1U"
6: Au 30U"
- W: WHITE
B: BLACK
- 1: PBT
2: PA6T
3: PA9T
4: LCP
5: PA46

Bill of materials:

NO	PARTS	MATERIAL	QTY	FINISHING	X.	X.*	UNITS	东莞市腾兴电子有限公司								
3	HOUSING	PA46/PBT+30%GF	1	UL94V-0	X. ±0.35	X.* ±2*	mm	TITLE: USB AF90度超短正向前两脚有卷边SMT 长1.70MM(无缺口)		PART NO.: USAF-04*N-5*VU00						
2	SHELL	COPPER ALLOY/SPCC	1	PLATED NICKEL	.X ±0.3	.X* ±1*	MAT'L						DR: gan 2015/07/14		DWG NO.: AII-VU00	
1	TERMINAL	COPPER ALLOY	4	PLATED GOLD/TIN	.XX ±0.25	.XX*	SEE NOTE									
					.XXX ±0.15	.XXX*	FINISH	APPD:		1:1	1/1	B	DRAWING			

THESE DRAWINGS AND SPECIFICATIONS ARE THE PROPERTY OF ACCURATE INNOTECH INC AND SHALL NOT BE REPRODUCED, COPIED OR USED IN ANY MANNER WITHOUT THE PRIOR WRITTEN CONSENT OF ACCURATE INNOTECH INC.

