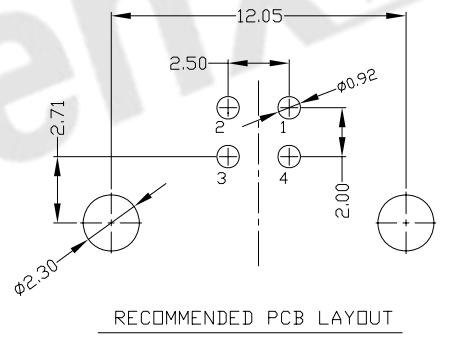
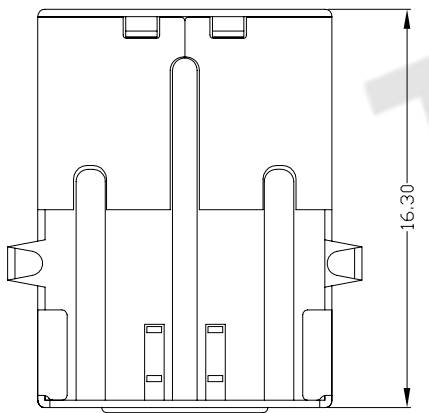
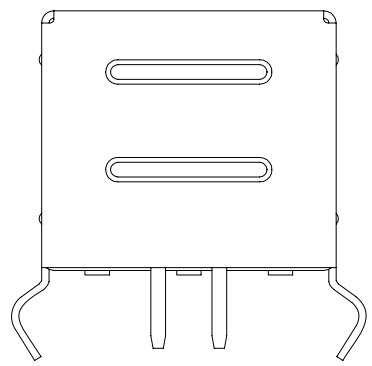
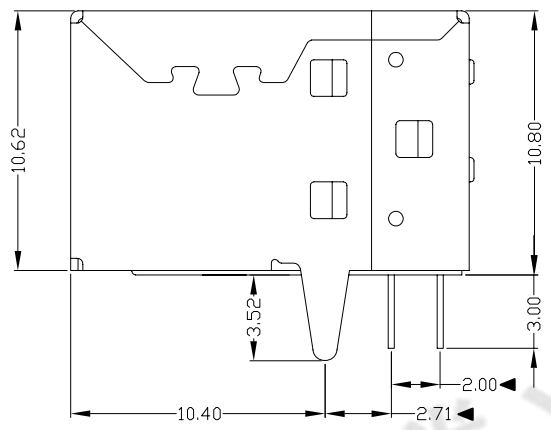
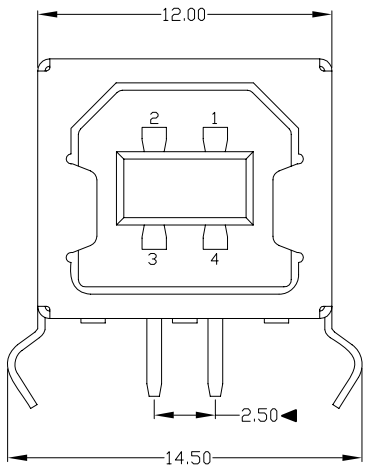


REV.	ECN.	NO.	APPD.



NOTES:

- ELECTRICAL:
 - VOLTAGE CURRENT RATING: 2AMP, 30V AC;
 - INSULATION RESISTANCE: 1000M Ω MIN;
 - CONTACT RESISTANCE: 30m Ω MAX;
 - WITHSTANDING VOLTAGE: 500V AC;
 - OPERATING TEMPERATURE: -55°C TO +85°C.
- Mechanical:
 - Mating Force: 35N MAX
 - Unmating Force: 10N MIN.
- NOTE: 1. DIMENSIONS MARKED "▼" TO BE CHECKED BY Q.C & IPQC.
- PART NO.

USBF-04*N-1*R85
 1: Au 1U*
 6: Au 30U*
 W: WHITE
 B: BLACK
 1: PBT
 2: PA6T
 3: PA9T
 4: LCP

Bill of materials:

NO	PARTS	MATERIAL	QTY	FINISHING	X. ± 0.35	X.' $\pm 2^*$	UNITS
4	BACK COVER	SPCC	1	PLATED NICKEL	.X ± 0.3	.X' $\pm 1^*$	mm
3	HOUSING	PBT	1	UL94V-0	.XX ± 0.25	.XX'	SEE NOTE
2	SHELL	COPPER ALLOY	1	PLATED NICKEL	.XXX ± 0.15	.XXX'	FINISH
1	TERMINAL	COPPER ALLOY	4	PLATED GOLD/TIN			SEE NOTE
							Q'TY

THESE DRAWINGS AND SPECIFICATIONS ARE THE PROPERTY OF ACCURATE INNOVATECH INC AND SHALL NOT BE REPRODUCED, COPIED OR USED IN ANY MANNER WITHOUT THE PRIOR WRITTEN CONSENT OF ACCURATE INNOVATECH INC.

东莞市腾兴电子有限公司

TITLE:	USB B/F 90° DIP (弯脚)	PART NO.:	USBF-04*N-1*R85
DR:	gan 2012/7/04	DWG NO.:	AII-R85
CHKD:	gan 2012/7/04	SCALE	1:1
APPD:		SHEET	1/1
		REV.	B
		CUSTOMER DRAWING	