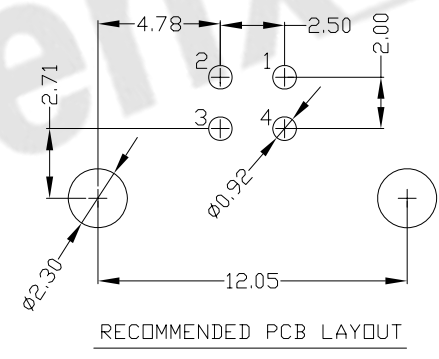
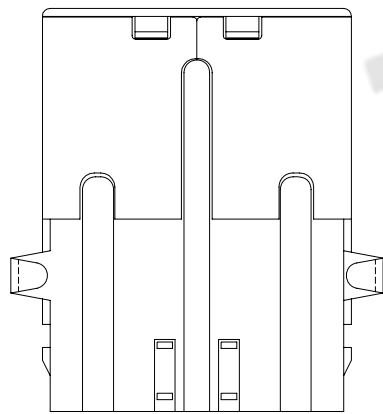
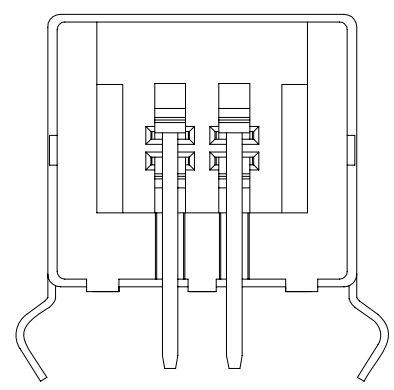
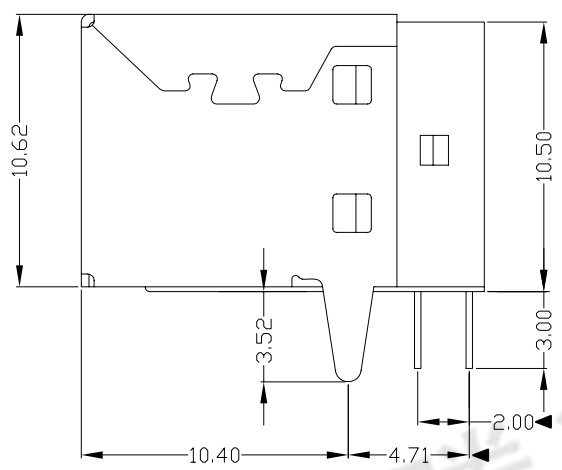
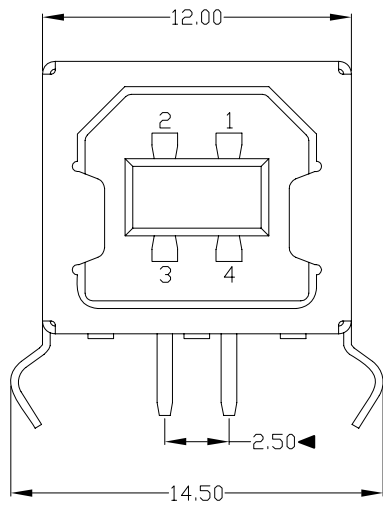




RoHS  
Compliant  
2002/95/EC

REV.	ECN.	NO.	APPD.



NOTES:

- ELECTRICAL:
  - VOLTAGE CURRENT RATING: 2AMP, 30V AC;
  - INSULATION RESISTANCE: 1000MΩ MIN;
  - CONTACT RESISTANCE: 30mΩ MAX;
  - WITHSTANDING VOLTAGE: 500V AC;
  - OPERATING TEMPERATURE: -55°C TO +85°C.
- Mechanical:
  - Mating Force: 35N MAX
  - Unmating Force: 10N MIN.
- NOTE: 1. DIMENSIONS MARKED "▼" TO BE CHECKED BY Q.C & IPQC.
- PART NO.

USB F-04\*N-1\*R86  
 W: WHITE  
 B: BLACK  
 1: PBT  
 2: PA6T  
 3: PA9T  
 4: LCP  
 1: Au 1U\*  
 6: Au 30U\*

Bill of materials:

NO	PARTS	MATERIAL	QTY	FINISHING	UNITS	mm	东莞市腾兴电子有限公司						
3	HOUSING	PBT	1	UL94V-0	X. ±0.35	X.* ±2*	MAT'L	TITLE: USB B/F 90° DIP弯脚(无后盖)		PART NO.: USBF-04*N-1*R86			
2	SHELL	COPPER ALLOY	1	PLATED NICKEL	.X ±0.30	.X* ±1*						SEE NOTE	
1	TERMINAL	COPPER ALLOY	4	PLATED GOLD/TIN	.XXX ±0.15	.XXX*	FINISH	DR: gan 2012/7/04		DWG NO.: AII-R86			
					THESE DRAWINGS AND SPECIFICATIONS ARE THE PROPERTY OF ACCURATE INDTCH INC AND SHALL NOT BE REPRODUCED, COPIED OR USED IN ANY MANNER WITHOUT THE PRIOR WRITTEN CONSENT OF ACCURATE INDTCH INC.		SEE NOTE	CHKD: gan 2012/7/04		SCALE	SHEET	REV.	CUSTOMER DRAWING
							Q'TY	APPD:		1:1	1/1	B	