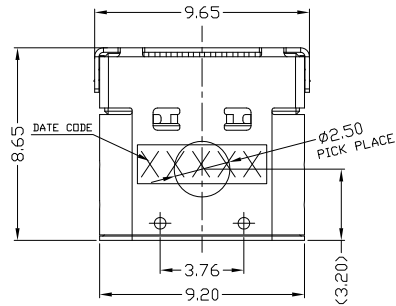


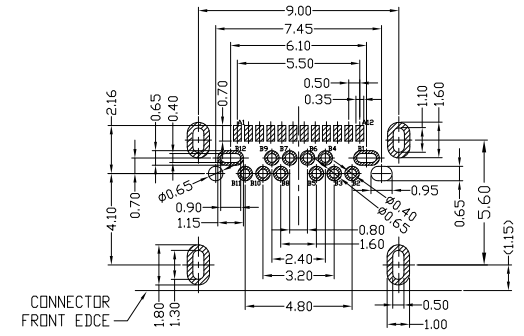
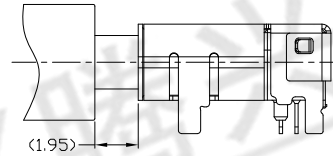
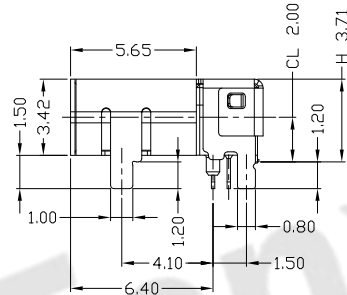
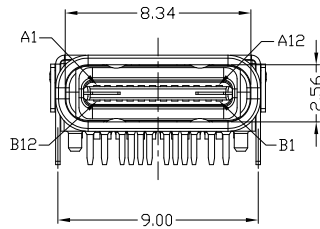
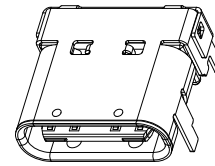


RoHS  
Compliant  
2002/95/EC

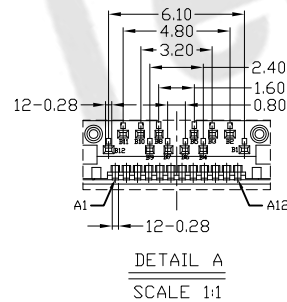
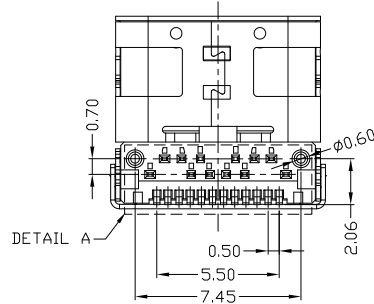
REV.	ECN.	NO.	APPD.



Pin	Signal Name	Mating Sequence	Pin	Signal Name	Mating Sequence
A1	GND	First	B12	GND	First
A2	SSTXp1	Second	B11	SSRXp1	Second
A3	SSTXn1	Second	B10	SSRXn1	Second
A4	V <sub>BUS</sub>	First	B9	V <sub>BUS</sub>	First
A5	CC1	Second	B8	SBU2	Second
A6	Dp1	Second	B7	Dn2	Second
A7	Dn1	Second	B6	Dp2	Second
A8	SBU1	Second	B5	CC2	Second
A9	V <sub>BUS</sub>	First	B4	V <sub>BUS</sub>	First
A10	SSRXn2	Second	B3	SSTXn2	Second
A11	SSRXp2	Second	B2	SSTXp2	Second
A12	GND	First	B1	GND	First
SHELL	GND	SHELL	GND	SHELL	GND



RECOMMENDED PCB LAYOUT



NOTES:

- ELECTRICAL:
  - CURRENT RATING: 5AMP FOR V<sub>BUS</sub> PIN; 1.25A FOR V<sub>CONN</sub> PIN.
  - INSULATION RESISTANCE: 100MΩMIN;
  - CONTACT RESISTANCE: 40mΩMAX;
  - WITHSTANDING VOLTAGE: 100V AC;
  - OPERATING TEMPERATURE: -40°C TO +85°C.
- Mechanical:
  - Mating Force: 5~20N.
  - Unmating Force: 8~20N AFTER TEST
- DIMENSIONS MARKED "▼" TO BE CHECKED BY Q.C & IPQC.

4. PART NO.

USCF-24*N-4BVC13	W: WHITE B: BLACK
1Au 1U*	1PBT
2Au 3U*	2PA6T
5Au 15U*	3PA9T
6Au 30U*	4LCP

Bill of materials:

NO	PARTS	MATERIAL	QTY	FINISHING	X. ±0.35	X.* ±2*	UNITS	mm
5	SHRAPNEL	STAINLESS STEEL	1	PLATED NICKEL	.X ±0.3	.X* ±1*	MAT'L	SEE NOTE
4	HOOK	STAINLESS STEEL	2	PLATED NICKEL	.XX ±0.25	.XX*	FINISH	SEE NOTE
3	SHELL	STAINLESS STEEL	1	PLATED NICKEL	.XXX ±0.15	.XXX*	Q'TY	SEE NOTE
2	TERMINAL	COPPER ALLOY	24	PLATED GOLD/TIN				
1	HOUSING	LCP+30%GF	1	UL94V-0				
NO	PARTS	MATERIAL	QTY	FINISHING				

东莞市腾兴电子有限公司

TITLE:	USB 3.1 C TYPE Female CL2.00 H3.71mm L8.65mm DIP TYPE	PART NO.:	USCF-24*N-4BVC13
DR:	gan 2015/11/25	DWG NO.:	AII-VC13
CHKD:	gan 2015/11/25	SCALE	1:1
APPD:		SHEET	1/1
		REV.	B
		CUSTOMER DRAWING	

THESE DRAWINGS AND SPECIFICATIONS ARE THE PROPERTY OF ACCURATE INNOVTECH INC. AND SHALL NOT BE REPRODUCED, COPIED OR USED IN ANY MANNER WITHOUT THE PRIOR WRITTEN CONSENT OF ACCURATE INNOVTECH INC.