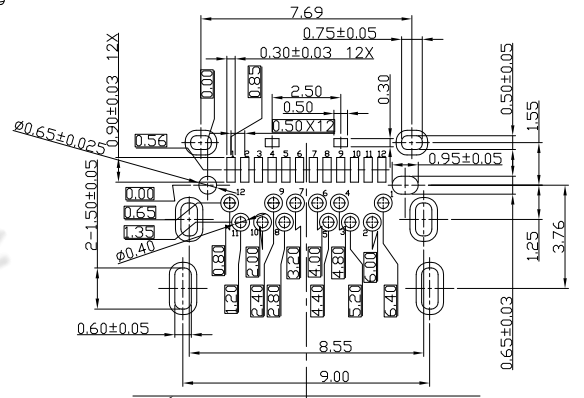
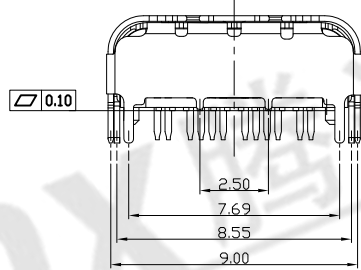
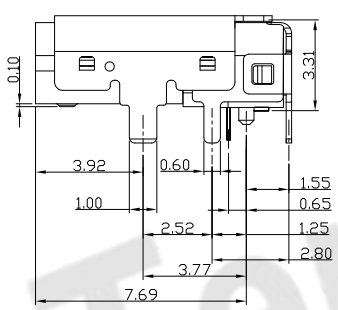
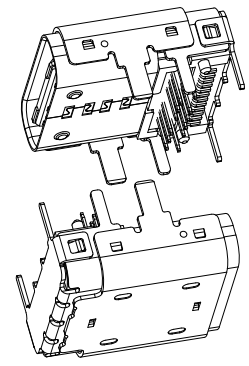
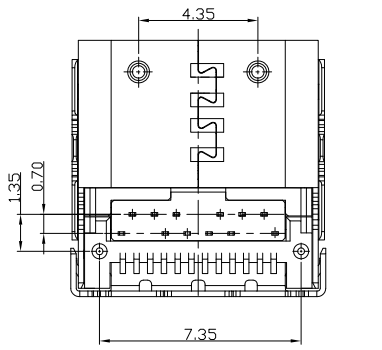
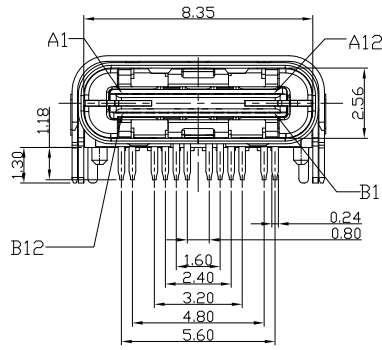
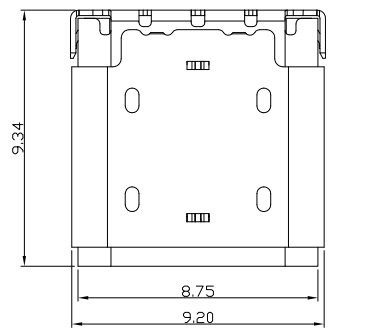




RoHS Compliant
2002/95/EC

| REV. | ECN. NO. | APPD. |
|------|----------|-------|
| | | |
| | | |

A
B
C
D
E



| | | | |
|-----|-------------|-----|-------------|
| A1 | GND | B12 | GND |
| A2 | SSTXP1 | B11 | SSRXP1 |
| A3 | SSTXN1 | B10 | SSRXN1 |
| A4 | VBUS | B9 | VBUS |
| A5 | CC1 | B8 | SBU2 |
| A6 | DP1 | B7 | DN2 |
| A7 | DN1 | B6 | DP2 |
| A8 | SBU1 | B5 | CC2 |
| A9 | VBUS | B4 | VBUS |
| A10 | SSRXN2 | B3 | SSTXN2 |
| A11 | SSRXP2 | B2 | SSTXP2 |
| A12 | GND | B1 | GND |
| PIN | SIGNAL NAME | PIN | SIGNAL NAME |

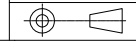
CONNECTOR FRONT EDGE
RECOMMENDED P.C.B. LAYOUT (T:1.00mm)
TOLERANCE UNSPECIFIED ±0.05mm

- NOTES:
- ELECTRICAL:
 - CURRENT RATING: 3AMP MAX;
 - INSULATION RESISTANCE: 100MΩ MIN;
 - CONTACT RESISTANCE: 40mΩ MAX;
 - WITHSTANDING VOLTAGE: 100V AC;
 - OPERATING TEMPERATURE: -30°C TO +85°C.
 - Mechanical:
 - Mating Force: 5N~20N
 - Unmating Force: 8N~20N
 - Durability: 10,000 cycles
 - DIMENSIONS MARKED "▼"
TO BE CHECKED BY Q.C & IPQC.

4.PART NO.
USCF-24*N-4BVS28
W/WHITE
B/BLACK
1#Au 1U*
2#Au 3U*
5#Au 15U*
6#Au 30U*
1#PBT
2#PA6T
3#PA9T
4#LCP

| | | | | | | | | |
|----|-----------------|-----------------|-----|--------------------|------------|------------|----------|----|
| 6 | TOP SHELL | STAINLESS STEEL | 1 | PLATED NICKEL | X. ±0.35 | X.' ±2' | UNITS | mm |
| 5 | SHELL | STAINLESS STEEL | 1 | PLATED NICKEL | .X ±0.30 | .X' ±1' | MAT'L | |
| 4 | SPRING | STAINLESS STEEL | 1 | | .XX ±0.20 | .XX' ±0.5' | SEE NOTE | |
| 3 | SHIELDING PLATE | STAINLESS STEEL | 1 | PLATED NICKEL | .XXX ±0.10 | .XXX' | FINISH | |
| 2 | CONTACT | COPPER ALLOY | 24 | PLATED GOLD/NICKEL | | | SEE NOTE | |
| 1 | HOUSING | LCP+30%GF | 1 | UL94V-0 | | | Q'TY | |
| NO | PARTS | MATERIAL | QTY | FINISHING | | | | |

THESE DRAWINGS AND SPECIFICATIONS ARE THE PROPERTY OF ACCURATE INNO TECH INC AND SHALL NOT BE REPRODUCED, COPIED OR USED IN ANY MANNER WITHOUT THE PRIOR WRITTEN CONSENT OF ACCURATE INNO TECH INC



东莞市腾兴电子有限公司

| | | | |
|--------|-------------------------|------------------|------------------|
| TITLE: | USB C F TYPE 前插后贴带上盖 | PART NO.: | USCF-24XN-4BVS28 |
| DR: | Ricky 2017/11/13 | DWG NO.: | AII-VS28 |
| CHKD: | Ricky 2017/11/13 | SCALE | 1:1 |
| APPD: | | SHEET | 1/1 |
| | | REV. | B |
| | | CUSTOMER DRAWING | |

1 2 3 4 5 6 7