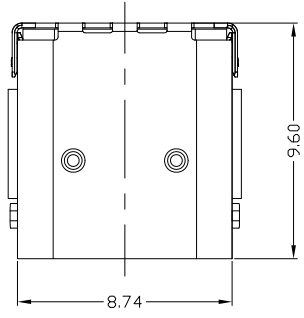


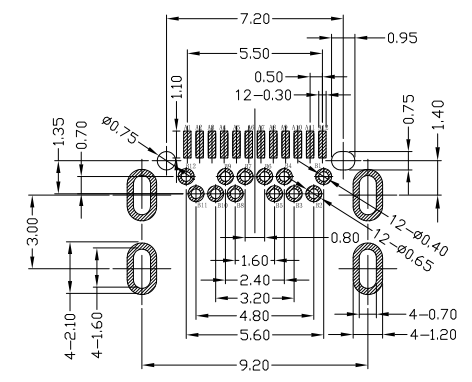
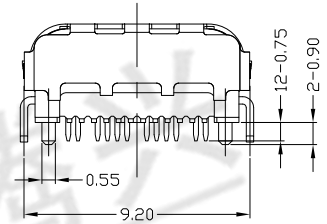
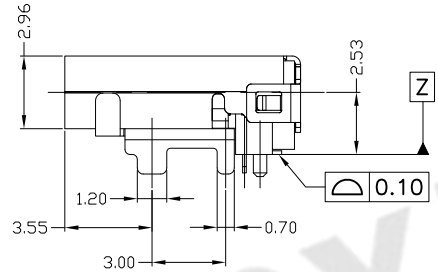
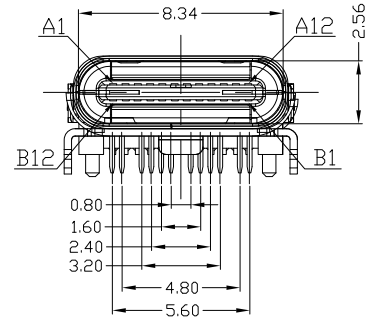


RoHS  
Compliant  
2002/95/EC

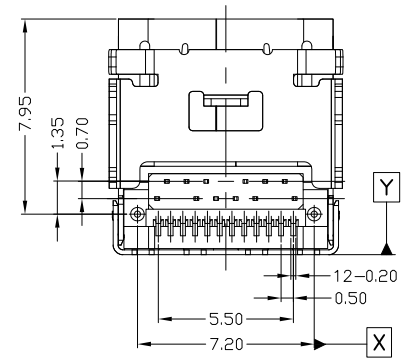
REV.	ECN.	NO.	APPD.



	A	B
1	GND	12 GND
2	TX1+	11 RX1+
3	TX1-	10 RX1-
4	VBUS	9 VBUS
5	CC1	8 SBU2
6	D+	7 D-
7	D-	6 D+
8	SBU1	5 CC2
9	VBUS	4 VBUS
10	RX2-	3 TX2-
11	RX2+	2 TX2+
12	GND	1 GND



RECOMMENDED P.C.B LAYOUT  
PCB THICKNESS 1.0±0.05mm



NOTES:

- ELECTRICAL:
  - CURRENT RATING: 5A FOR VBUS PIN; 1.25A FOR VCONN PIN.
  - INSULATION RESISTANCE: 100MΩ MIN;
  - CONTACT RESISTANCE: 40mΩ Max FOR INITIAL. 10mΩ CHANGE AFTER TEST. MEASURE AT 20mV, 100mA.
  - WITHSTANDING VOLTAGE: 100V AC R.M.S.
  - OPERATING TEMPERATURE: -40°C TO +85°C.
- Mechanical:
  - MATING FORCE: 5~20 N.
  - UNMATED FORCE: 8~20N AFTER TEST
  - DURABILITY: 10,000 CYCLES
- DIMENSIONS MARKED "▼" TO BE CHECKED BY Q.C & IPQC.

4. PART NO.

USCF-24\*N-4BVW08  
W: WHITE  
B: BLACK  
1:Au 1U\* 1:PBT  
2:Au 3U\* 2:PA6T  
5:Au 15U\* 3:PA9T  
6:Au 30U\* 4:LCF

Bill of materials:

NO	PARTS	MATERIAL	QTY	FINISHING	X. ±0.35	X.' ±2*	UNITS	mm	东莞市腾兴电子有限公司				
5	SHRAPNEL	STAINLESS STEEL	1	PLATED NICKEL	.X ±0.3	.X' ±1*	MAT'L	SEE NOTE	TITLE: USCF 3.1 C TYPE 母头 板上 L=0.6MM 间距0.70mm 强度高 □=2.53MM 加后塞外壳圆形凸包 成品 PART NO.: USCF-241N-4BVW08				
4	HOOK	STAINLESS STEEL	2	PLATED NICKEL	.XX ±0.25	.XX'	SEE NOTE	DR: gan 2017/7/30					DWG NO.: AII-VW08
3	SHELL	STAINLESS STEEL	1	PLATED NICKEL/TIN	.XXX ±0.15	.XXX'	FINISH	SEE NOTE	CHKD: gan 2017/7/30	SCALE	SHEET	REV.	
2	TERMINAL	COPPER ALLOY	24	PLATED GOLD/TIN	THESE DRAWINGS AND SPECIFICATIONS ARE THE PROPERTY OF ACCURATE INNO TECH INC AND SHALL NOT BE REPRODUCED, COPIED OR USED IN ANY MANNER WITHOUT THE PRIOR WRITTEN CONSENT OF ACCURATE INNO TECH INC.		Q'TY	APPD:	1:1	1/1	B	DRAWING	