



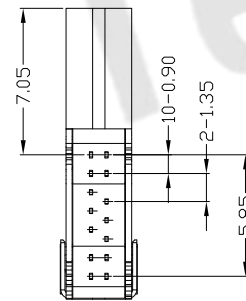
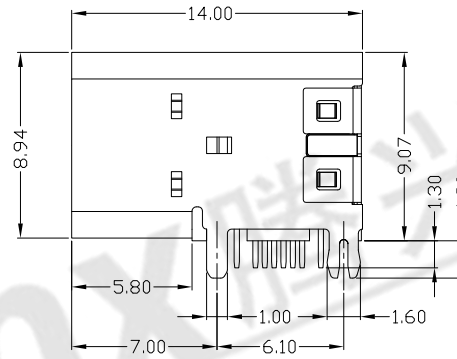
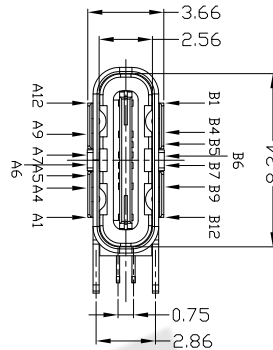
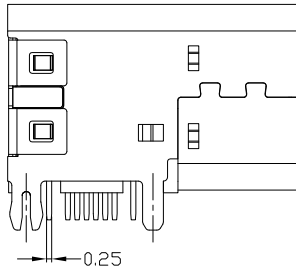
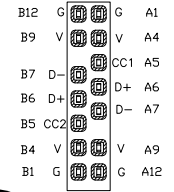
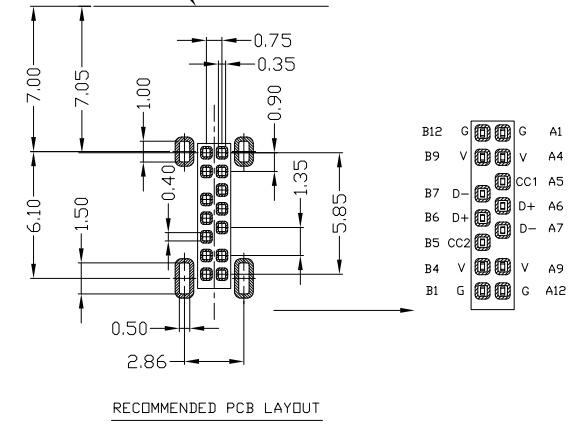
RoHS
Compliant
2002/95/EC

REV.	ECN.	NO.	APPD.

A1	GND	B12	GND
A4	VBUS	B9	VBUS
A5	CC1	B7	DN2
A6	DP1	B6	DP2
A7	DN1	B5	CC2
A9	VBUS	B4	VBUS
A12	GND	B1	GND
PIN	SIGNAL NAME	PIN	SIGNAL NAME

PCB板厚建议1.0~1.2MM

PCB EDGE



NOTES:

1. ELECTRICAL:

- 1) CURRENT RATING: 5AMP MIN FOR VBUS;
VOLTAGE RATING: 20VAC MAX
0.25A MIN FOR OTHER.
- 2) INSULATION RESISTANCE: 100MΩMIN;
- 3) CONTACT RESISTANCE: 40mΩMAX;
- 4) WITHSTANDING VOLTAGE: 100V AC;
- 5) OPERATING TEMPERATURE: -55°C TO +85°C.

2. Mechanical:

- 1) INSERTION Force: 5~20N.
- 2) EXTRACTION Force: 8~20N.

3. DIMENSIONS MARKED "▼" TO BE CHECKED BY Q.C & IPQC.

4. PART NO.

USCF-141N-4BCZ21

1: Au 1U*
2: Au 3U*
5: Au 15U*
6: Au 30U*
W: WHITE
B: BLACK
1: PBT
2: PA6T
3: PA9T
4: LCP

Bill of materials:

5	COVER	STAINLESS STEEL	1	PLATED NICKEL	X. ±0.35	X.' ±2'	UNITS	mm	东莞市腾兴电子有限公司 TITLE: USB TYPE CF 侧插式14.0 DIP 14P 前小脚后鱼叉脚 PART NO.: USCF-141N-4BCZ21 DWG NO.: AII-CZ21 DR: gan 2018/10/25 CHKD: gan 2018/10/25 APPD:
4	CENTER PIECE SHIELDING PLATE	STAINLESS STEEL	1		.X ±0.3	.X' ±1'	MAT'L	SEE NOTE	
3	SHELL	STAINLESS STEEL	1	PLATED NICKEL	.XX ±0.25	.XX'	FINISH	SEE NOTE	
2	TERMINAL	COPPER ALLOY	14	PLATED GOLD/TIN	.XXX ±0.15	.XXX'	Q'TY	SEE NOTE	
1	HOUSING	LCP+30%GF	1	UL94V-0	THESE DRAWINGS AND SPECIFICATIONS ARE THE PROPERTY OF ACCURATE INNO TECH INC AND SHALL NOT BE REPRODUCED, COPIED OR USED IN ANY MANNER WITHOUT THE PRIOR WRITTEN CONSENT OF ACCURATE INNO TECH INC.				
NO	PARTS	MATERIAL	QTY	FINISHING				SCALE: 1:1 SHEET: 1/1 REV.: B CUSTOMER DRAWING	