



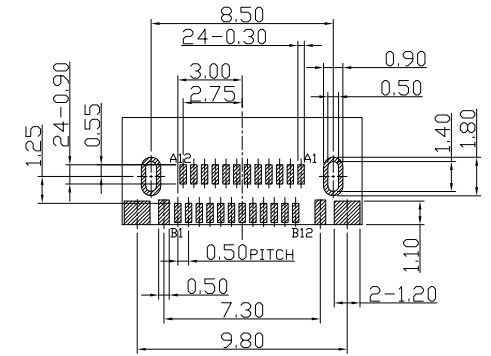
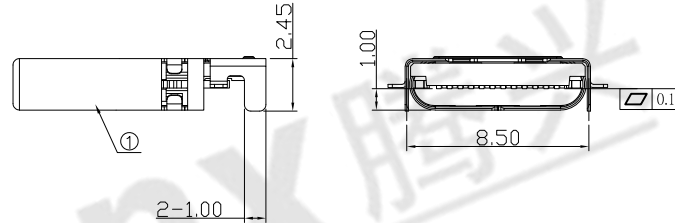
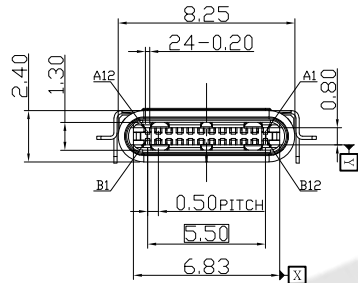
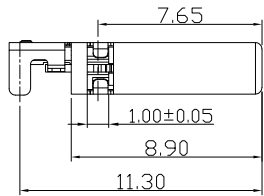
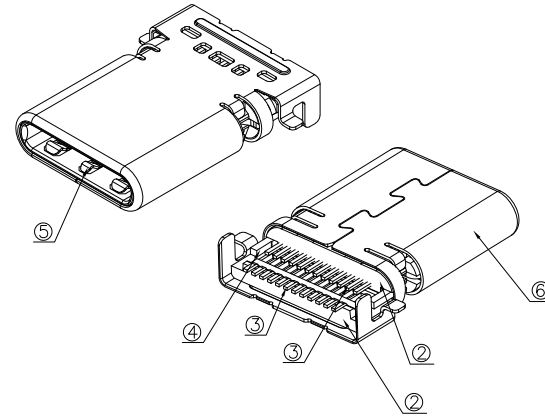
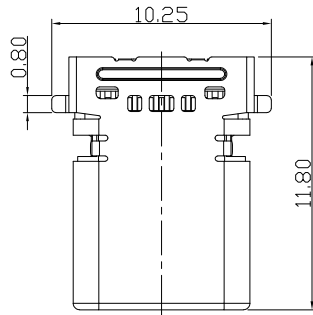
RoHS
Compliant
2002/95/EC

Halogen Free

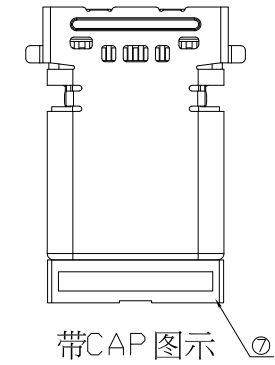
REV	LTR	DESCRIPTION	DATE	REVISER	APPD

Pin Assignments And Mating Sequence:

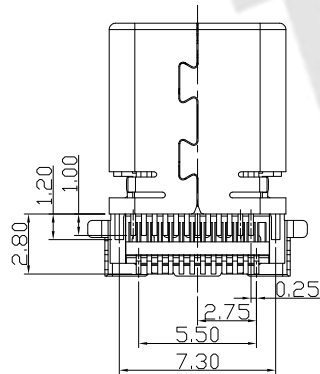
Pin No.	Signal Name	Mating Sequence	Pin No.	Signal Name	Mating Sequence
A1	GND	First	B12	GND	First
A2	SSTXp1	Second	B11	SSRXp1	Second
A3	SSTXn1	Second	B10	SSRXn1	Second
A4	Vbus	First	B9	Vbus	First
A5	CC1	Second	B8	SBU2	Second
A6	Dp1	Second	B7	Dn2	Second
A7	Dn1	Second	B6	Dp2	Second
A8	SBU1	Second	B5	CC2	Second
A9	Vbus	First	B4	Vbus	First
A10	SSRXn2	Second	B3	SSTXn2	Second
A11	SSTXn2	Second	B2	SSTXn2	Second
A12	GND	First	B1	GND	First
Shell	GND		Shell	GND	



RECOMMENDED PCB LAYOUT



带CAP 图示 ⑦



NOTES:

1.ELECTRICAL:

- CURRENT RATING: A current of 5.0 A shall be applied Pin-A4 · Pin-A9 · Pin-B4 · Pin-B9 · 1.25 A shall be applied Pin-A1 · Pin-A12 · Pin-B1 · Pin-B12 · 0.25 A shall be applied other pin;
- INSULATION RESISTANCE: 100MΩ MIN 250V DC;
- CONTACT RESISTANCE: INITIAL 40mΩ MAX; AFTER 50mΩ MAX;
- WITHSTANDING VOLTAGE: 100V AC MIN;
- OPERATING TEMPERATURE: -40°C TO +85°C.

2.Mechanical:

- Mating Force: 5N~20N MAX.
- Unmating Force: 8N~20N(INITIAL) 6N~20N(AFTER 10000 CYCLES) MIN.
- Durability: 200±50 CYCLES/HOUR,10000 CYCLES.;

3.DIMENSIONS MARKED "▼"
TO BE CHECKED BY Q.C & IPQC.

4.PART NO.

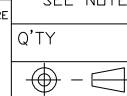
USCM-24*N-4BVJ40

1Au 1U*
2Au 3U*
5Au 15U*
6Au 30U*
1PBT
2PA6T
3PA9T
4LCP

Bill of materials:

NO	PARTS	MATERIAL	QTY	FINISHING	X. ±0.38	X.' ±5'	UNITS
7	COVER	LCP+30%GF	1	UL94V-0	X. ±0.38	X.' ±5'	mm
6	SHELL	STAINLESS STEEL	1	PLATED GOLD/NICKEL	.X ±0.30	.X' ±3'	MAT'L
5	SPRING SHEET	STAINLESS STEEL	2	PLATED NICKEL	.XX ±0.20	.XX' ±1'	SEE NOTE
4	LATCH	STAINLESS STEEL	1	PLATED GOLD	.XXX ±0.10	.XXX'	FINISH
3	TERMINAL	COPPER ALLOY	24	PLATED GOLD			SEE NOTE
2	INSULATOR	LCP+30%GF	2	UL94V-0			Q'TY
1	HOUSING	LCP+30%GF	1	UL94V-0			

THESE DRAWINGS AND SPECIFICATIONS ARE THE PROPERTY OF ACCURATE INNO TECH INC. AND SHALL NOT BE REPRODUCED, COPIED OR USED IN ANY MANNER WITHOUT THE PRIOR WRITTEN CONSENT OF ACCURATE INNO TECH INC.



东莞市腾兴电子有限公司

TITLE:
USB TYPE C PLUG 双排24PIN
沉板1.00mm 鐵殼折彎式

PART NO.:
USCM-24XN-4BVJ40

DR: Ricky 2018/1/26

DWG NO.:
AII-VJ40

CHKD: Ricky 2018/1/26

APPD:

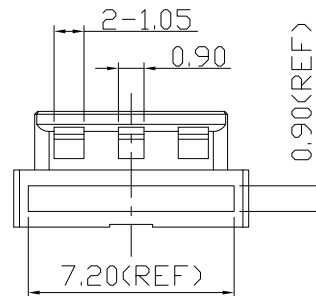
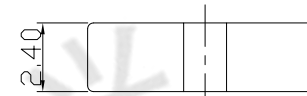
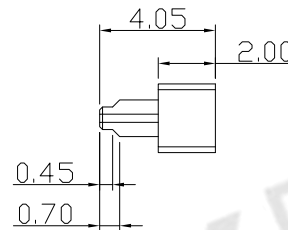
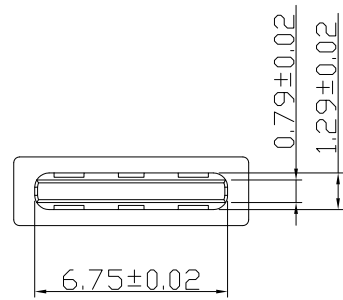
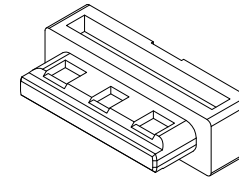
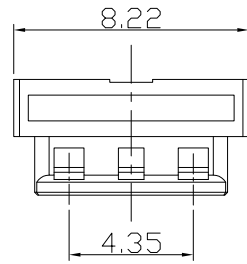
SCALE SHEET REV. CUSTOMER
1:1 1/1 B DRAWING



RoHS
Compliant
2002/95/EC

Halogen Free

REV	LTR	DESCRIPTION	DATE	REVISER	APPD



Bill of materials:

7					X. ±0.38	X.' ±5'	UNITS	mm	东莞市腾兴电子有限公司 TITLE: USB TYPE C PLUG 双排24PIN 沉板1.00mm 鐵殼折彎式 帽蓋 PART NO.: USCM-24XN-4BVJ40-C DR: <i>Ricky</i> 2018/8/28 DWG NO.: AII-VJ40-C CHKD: <i>Ricky</i> 2018/8/28 APPD:				
6					.X ±0.30	.X' ±3'	MAT'L						
5					.XX ±0.20	.XX' ±1'	SEE NOTE						
4					.XXX ±0.10	.XXX'	FINISH						
3							SEE NOTE						
2					THESE DRAWINGS AND SPECIFICATIONS ARE THE PROPERTY OF ACCURATE INNOTECH INC. AND SHALL NOT BE REPRODUCED, COPIED OR USED IN ANY MANNER WITHOUT THE PRIOR WRITTEN CONSENT OF ACCURATE INNOTECH INC.			Q'TY					
1	COVER	LCP+30%GF	1	UL94V-0						SCALE	SHEET	REV.	CUSTOMER
NO	PARTS	MATERIAL	QTY	FINISHING						1:1	1/1	B	DRAWING

