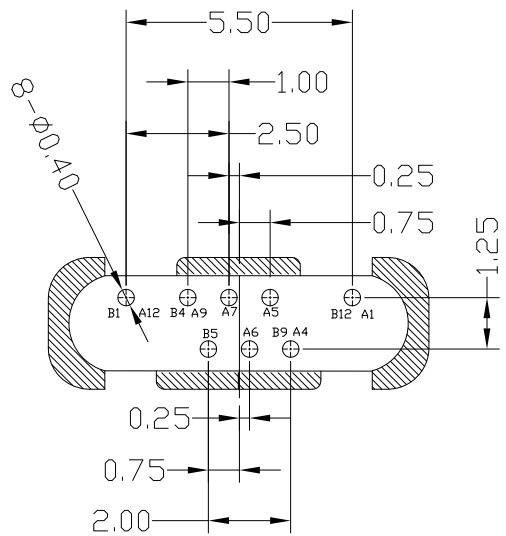
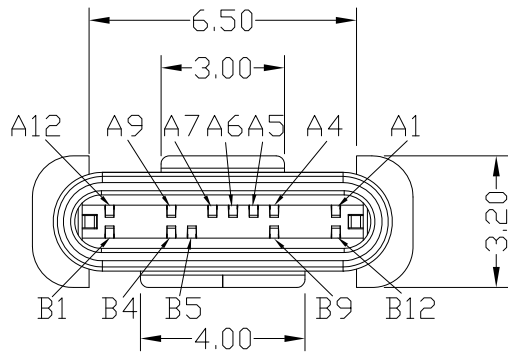


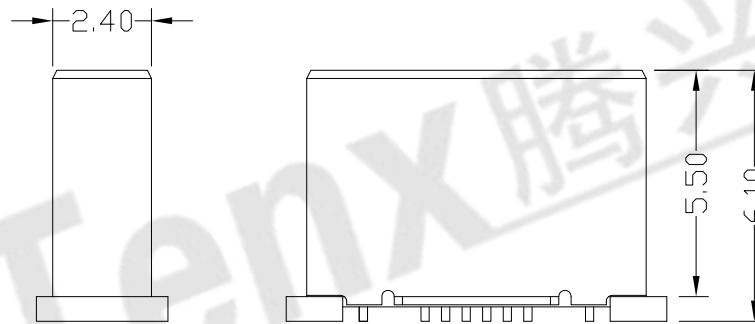
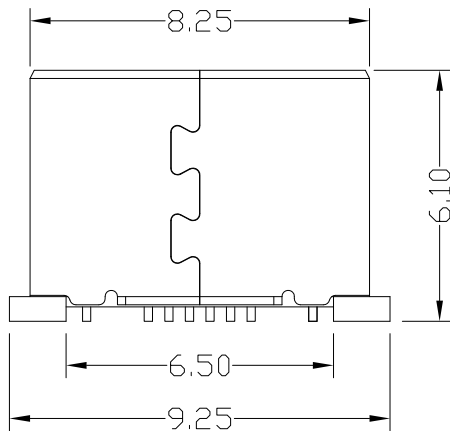


RoHS
Compliant
2002/95/EC

REV.	ECN.	NO.	APPD.



RECOMMENDED P.C.B. LAYOUT

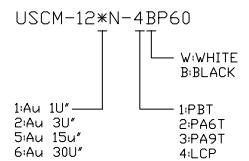


A1	GND	B12	GND
A4	VBUS	B9	VBUS
A5	CC1	B8	
A6	DP1	B7	
A7	DN1	B6	
A8		B5	CC2
A9	VBUS	B4	VBUS
A12	GND	B1	GND
PIN	SIGNAL NAME	PIN	SIGNAL NAME

NOTES:

- ELECTRICAL:
 - CURRENT RATING: 0.5AMP MAX;
 - INSULATION RESISTANCE: 100MΩ MIN;
 - CONTACT RESISTANCE: 50mΩ MAX;
 - WITHSTANDING VOLTAGE: 100V AC;
 - OPERATING TEMPERATURE: -30°C TO +85°C.
- Mechanical:
 - Mating Force: 35N MAX.
 - Unmating Force: 8N MIN.
- DIMENSIONS MARKED "▼"
TO BE CHECKED BY Q.C & IPQC.

4.PART NO.



5					.X ±0.30	.X' ±1'	UNITS	mm
4					.XX ±0.20	.XX'	MAT'L	
3	SHELL	STAINLESS STEEL	1	PLATED NICKEL	.XXX ±0.10	.XXX'	SEE NOTE	
2	TERMINAL	COPPER ALLOY	12	PLATED GOLD/TIN			FINISH	
1	HOUSING	LCP+30%GF	1	UL94V-0			SEE NOTE	
NO	PARTS	MATERIAL	QTY	FINISHING	THESE DRAWINGS AND SPECIFICATIONS ARE THE PROPERTY OF ACCURATE INNO TECH INC AND SHALL NOT BE REPRODUCED, COPIED OR USED IN ANY MANNER WITHOUT THE PRIOR WRITTEN CONSENT OF ACCURATE INNO TECH INC		Q'TY	

东莞市腾兴电子有限公司				TITLE:		PART NO.:	
				USB TYPE CM 简易短体公头		USCM-12XN-4BP60	
DR: Ricky 2017/12/07				DWG NO.:		AII-P60	
				CHKD: Ricky 2017/12/07		SCALE	SHEET
APPD:				1:1		1/1	
				B			