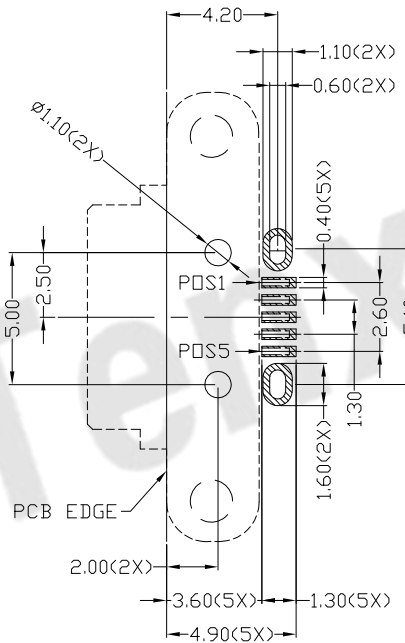
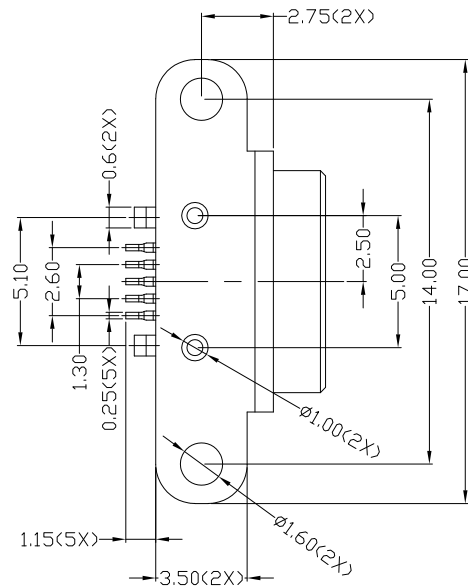
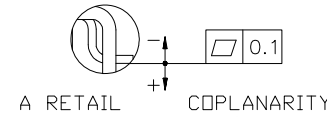
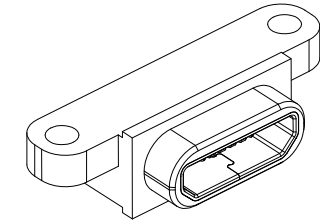
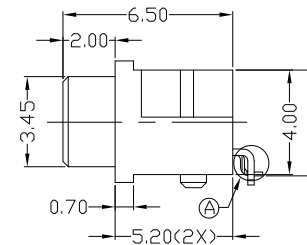
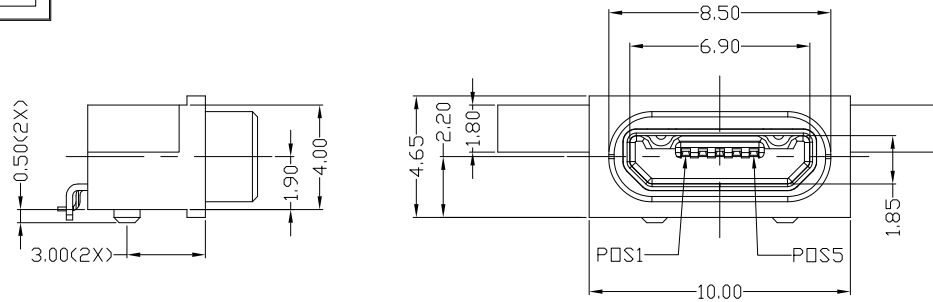
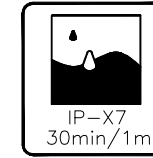




RoHS  
Compliant  
2002/95/EC

| REV. | ECN. | NO. | APPD. |
|------|------|-----|-------|
|      |      |     |       |
|      |      |     |       |
|      |      |     |       |



RECOMMENDED PCB LAYOUT  
TOP VIEW

NOTES :

1. ELECTRICAL :

- VOLTAGE CURRENT RATING: PIN 1,5:1.8A/30V AC Max.; PIN 2,3,4:0.5A/30V AC Max.
- INSULATION RESISTANCE: 100MΩ MIN;
- CONTACT RESISTANCE: 30mΩ MAX;
- WITHSTANDING VOLTAGE: 300V AC;
- OPERATING TEMPERATURE:-25°C TO +85°C.

2. Mechanical :

- Mating Force: 35N MAX
- Unmating Force: 8N MIN.

3. DIMENSIONS MARKED "▼" TO BE CHECKED BY Q.C & IPQC.

MWYF-05\*N-7BHT30

1:Au 1U\*  
6:Au 30U\*  
T:TIN  
N:NICKEL  
W:WHITE  
B:BLACK  
1:PBT  
2:PA6T  
3:PA9T  
4:LCP  
7:PA10T

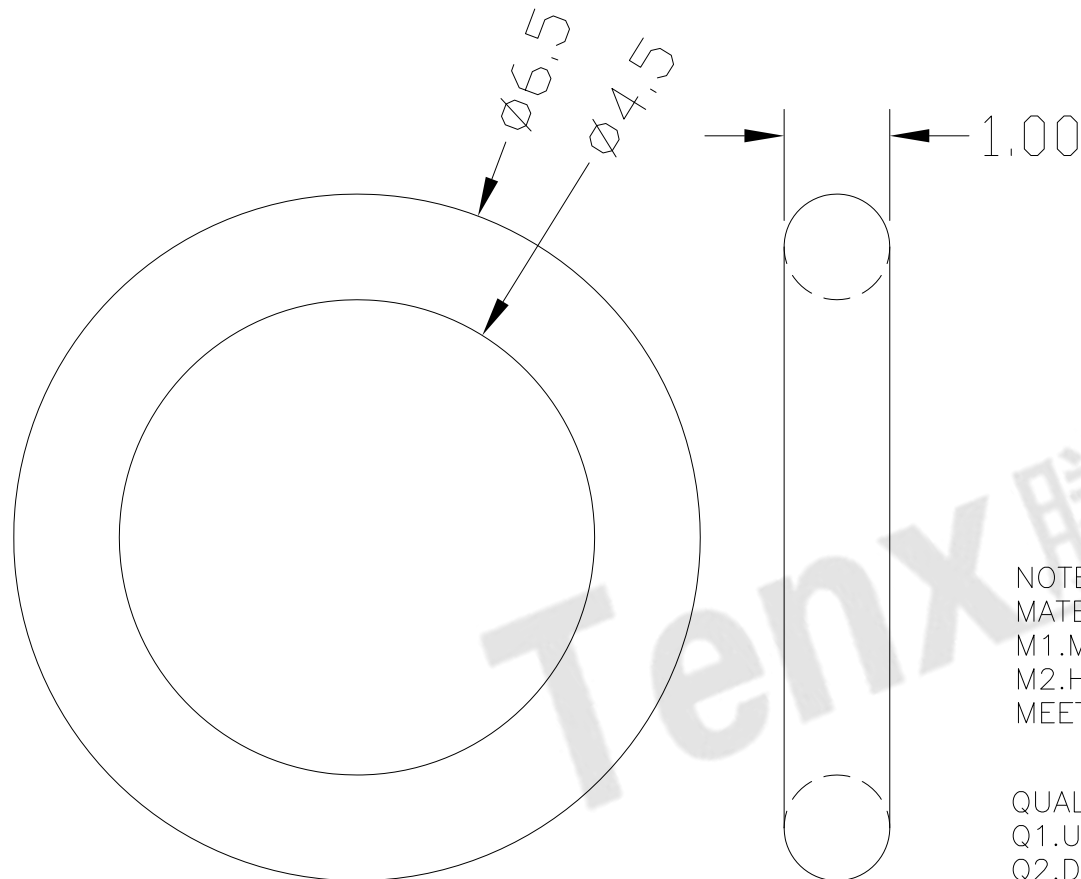
Bill of materials:

| NO | PARTS     | MATERIAL        | QTY | FINISHING     | UNITS  | mm      | 东莞市腾兴电子有限公司 |  |       |       |      |                  |                               |
|----|-----------|-----------------|-----|---------------|--|---------|-------------|--|-------|-------|------|------------------|-------------------------------|
| 4  | INSULATOR | LCP             | 1   | UL94V-0       | X. ±0.35   | X.* ±2* | MAT'L       | TITLE:<br>WATERPROOF MICRO USB B TYPE<br>5P FEMALE CONNECTOR |       |       |      |                  |                               |
| 3  | HOUSING   | PA10T           | 1   | UL94V-0       | .X ±0.3  | .X* ±1* |             |  |       |       |      | SEE NOTE         | PART NO.:<br>MWYF-05XN-7BHT30 |
| 2  | SHELL     | STAINLESS STEEL | 1   | PLATED NICKED | .XX ±0.25  | .XX*    | FINISH      | DR: Ricky 2017/06/09   |       |       |      |                  |                               |
| 1  | TERMINAL  | COPPER ALLOY    | 5   | PLATED GOLD   | .XXX ±0.15   | .XXX*   | SEE NOTE    | CHKD: Ricky 2017/06/09                                       |       |       |      |                  |                               |
|    |           |                 |     |               | THESE DRAWINGS AND SPECIFICATIONS ARE THE PROPERTY OF ACCURATE INNOTECH AND SHALL NOT BE REPRODUCED, COPIED OR USED IN ANY MANNER WITHOUT THE PRIOR WRITTEN CONSENT OF ACCURATE INNOTECH INC |         | Q'TY        | DWG NO.:<br>AII-HT30   |       |       |      |                  |                               |
|    |           |                 |     |               |  |         | APPD:       |  | SCALE | SHEET | REV. | CUSTOMER DRAWING |                               |
|    |           |                 |     |               |  |         |             |  | 4:1   | 1/1   | B    |                  |                               |



RoHS  
Compliant  
2002/95/EC

| REV. | ECN. | NO. | APPD. |
|------|------|-----|-------|
|      |      |     |       |
|      |      |     |       |
|      |      |     |       |



NOTES

MATERIAL

M1.MATERIAL : Silicone , 94V0

M2.HARDNESS : 70°

MEET ROHS 2

QUALITY CONTROL

Q1.UNSPECIFIED DIMENSIONS REFER TO 3D MODEL.

Q2.DIMENSIONS TOLERANCE : ABOVE 31.00mm±0.20mm  
30.00mm~11.00mm±0.15mm  
BELOW 10mm±0.10mm

|    |       |          |     |           |  |         |          |    |             |                  |       |           |                  |
|----|-------|----------|-----|-----------|--|---------|----------|----|-------------|------------------|-------|-----------|------------------|
| 4  |       |          |     |           | X. ±0.35   | X.' ±2' | UNITS    | mm | 东莞市腾兴电子有限公司 |                  |       |           |                  |
| 3  |       |          |     |           | .X ±0.3  | .X' ±1' | MAT'L    |    |             |                  |       |           |                  |
| 2  |       |          |     |           | .XX ±0.25  | .XX'    | SEE NOTE |    | TITLE:      | □-RING           |       |           |                  |
| 1  |       |          |     |           | .XXX ±0.15   | .XXX'   | FINISH   |    | DR:         | Ricky 2017/06/09 |       | PART NO.: | □-RING-1         |
|    |       |          |     |           | THESE DRAWINGS AND SPECIFICATIONS ARE THE PROPERTY OF ACCURATE INNOTECH AND SHALL NOT BE REPRODUCED, COPIED OR USED IN ANY MANNER WITHOUT THE PRIOR WRITTEN CONSENT OF ACCURATE INNOTECH INC |         | Q'TY     |    | CHKD:       | Ricky 2017/06/09 |       | DWG NO.:  | AII-RING-1       |
| NO | PARTS | MATERIAL | QTY | FINISHING |  |         |          |    | APPD:       | SCALE            | SHEET | REV.      | CUSTOMER DRAWING |
|    |       |          |     |           |  |         |          |    |             | 10:1             | 1/1   | B         |                  |