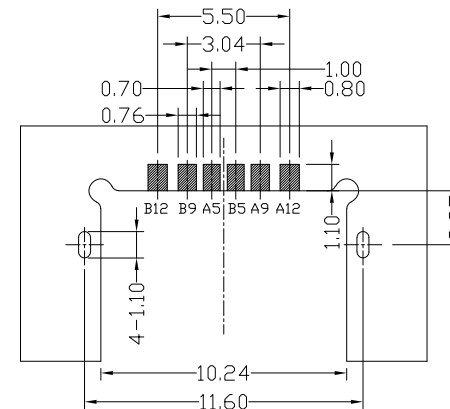
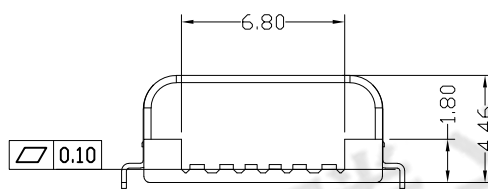
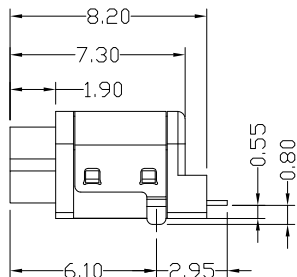
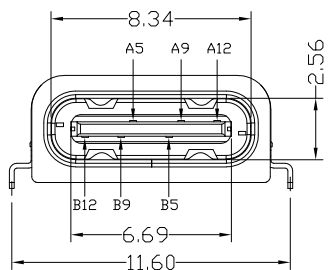
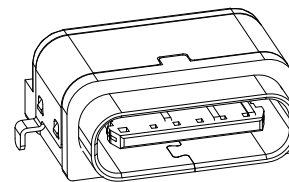
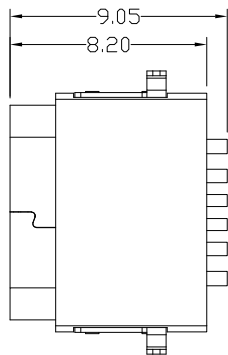
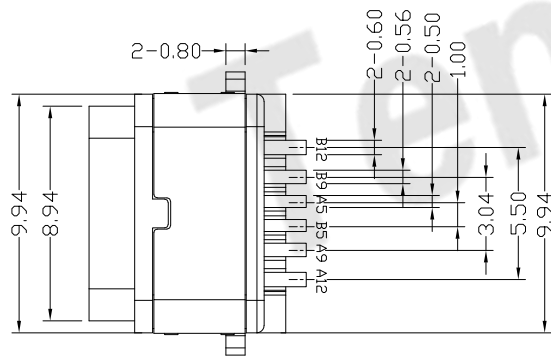




REV.	ECN.	NO.	APPD.



RECOMMENDED P.C.B. LAYOUT
TOLERANCE UNSPECIFIED ±0.05mm



A5	CC1	B12	GND
A9	VBUS	B9	VBUS
A12	GND	B5	CC2
PIN	SIGNAL NAME	PIN	SIGNAL NAME

NOTES:

1.ELECTRICAL:

- CURRENT RATING: 3A MAX.
- INSULATION RESISTANCE: 100MΩ MIN;
- CONTACT RESISTANCE: 40mΩ MAX;
- WITHSTANDING VOLTAGE: 100V AC
- OPERATING TEMPERATURE: -30°C TO +85°C.

2.Mechanical:

- Mating Force: 5N~20N
- Unmating Force: 8N~20N
- Durability: 10,000 cycles

3.DIMENSIONS MARKED "▼"
TO BE CHECKED BY Q.C & IPQC.

4.PART NO.

UWCF-06*N-4BVS22

1Au 1U"
2Au 3U"
5Au 15u"
6Au 30U"

W-WHITE
B-BLACK
1PB
2PA6T
3PA9T
4LCP

6	WATERPROOF RING	硅橡胶	1	BLACK	x.x ±0.30	x.* ±2'
5	SHELL	STAINLESS STEEL	1	PLATED NICKEL	.xx ±0.20	.xx'* ±1'
4	SHIELDING PLATE	STAINLESS STEEL	1		.xxx ±0.10	.xxx'* ±0.5'
3	CONTACT	COPPER ALLOY	6	PLATED GOLD/TIN		
2	SHELL HOUSING	LCP+30%GF	1	UL94V-0		
1	HOUSING	LCP+30%GF	1	UL94V-0		
NO	PARTS	MATERIAL	QTY	FINISHING		

THESE DRAWINGS AND SPECIFICATIONS ARE THE PROPERTY OF ACCURATE INNOTECH INC AND SHALL NOT BE REPRODUCED, COPIED OR USED IN ANY MANNER WITHOUT THE PRIOR WRITTEN CONSENT OF ACCURATE INNOTECH INC

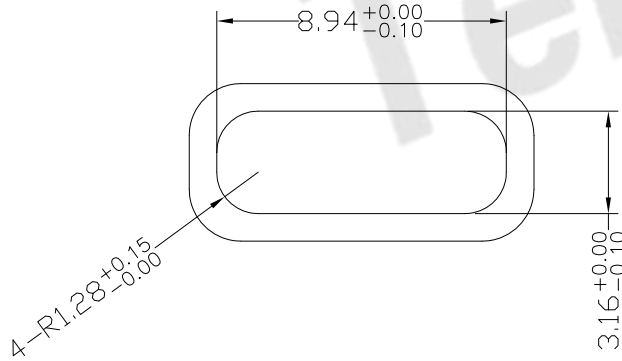
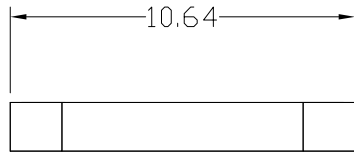
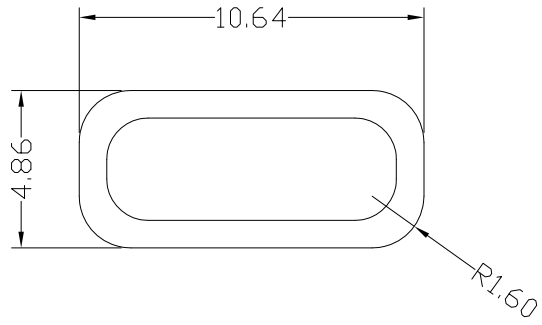
UNITS	mm	东莞市腾兴电子有限公司			
MAT'L	SEE NOTE				
FINISH	SEE NOTE	TITLE: USB USB Type-CF 单排6P 两脚插板 防水型	PART NO.: UWCF-06XN-4BVS22		
Q'TY	SEE NOTE	DR: Ricky 2019/08/20	DWG NO.: AII-VS22		
		CHKD: Ricky 2019/08/20	SCALE	SHEET	REV.
		APPD:	1:1	1/1	B
			CUSTOMER DRAWING		



RoHS
Compliant
2002/95/EC

Halogen Free

REV.	ECN.	NO.	APPD.



Applicable to the part no:

NO	PART NO
1	UWCF-06XN-4BVS21
2	UWCF-06XN-4BVS22
3	UWCF-06XN-4BVS23
4	UWCF-06XN-4BVS24

6					X.X ±0.15	X.* ±2*	UNITS	mm	东莞市腾兴电子有限公司 TITLE: USB Type-CF 单排6P 防水系列 防水圈 PART NO.: UWCF-06XN-4BVS2X-WR1 DR: Ricky 2019/08/20 DWG NO.: AII-VS2X-WR1 CHKD: Ricky 2019/08/20 APPD:		
5					.XX ±0.10	.XX* ±1*	MAT'L				
4					.XXX ±0.05	.XXX* ±0.5*	SEE NOTE				
3							FINISH				
2							SEE NOTE				
1	WATERPROOF RING	硅橡胶	1	BLACK	THESE DRAWINGS AND SPECIFICATIONS ARE THE PROPERTY OF ACCURATE INNOTECH INC AND SHALL NOT BE REPRODUCED, COPIED OR USED IN ANY MANNER WITHOUT THE PRIOR WRITTEN CONSENT OF ACCURATE INNOTECH INC		Q'TY				
NO	PARTS	MATERIAL	QTY	FINISHING				SCALE	SHEET	REV.	CUSTOMER DRAWING
								1:1	1/1	B	