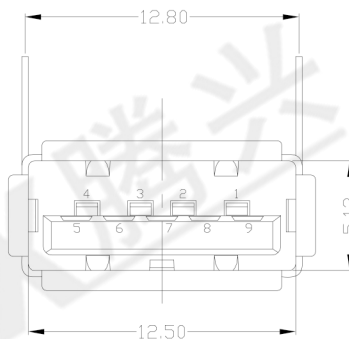
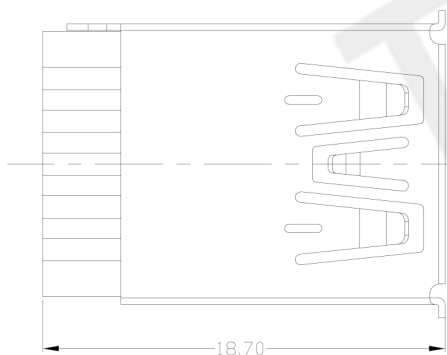
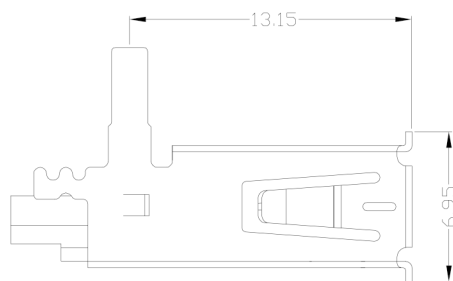
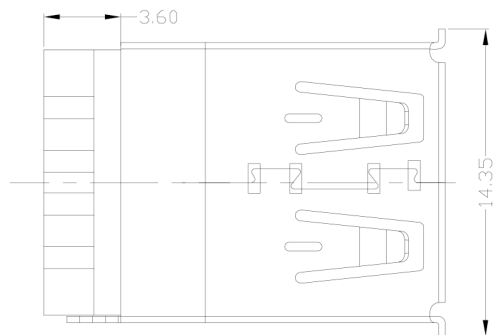




**RoHS
Compliant**
2002/95/EC



REV	LTR	DESCRIPTION	DATE	REVISER	APPD

PIN NUMBER	SIGNAL NAME
1	VBUS
2	D-
3	D+
4	GND
5	STDA_SSRX-
6	STDA_SSRX+
7	GND_DRAIN
8	STDA_SSTX-
9	STDA_SSTX+
Shell	Shield

NOTES:

1. ELECTRICAL:

- 1) VOLTAGE CURRENT RATING: 1.5AMP, 30V AC;
- 2) INSULATION RESISTANCE: 1000MΩ MIN;
- 3) CONTACT RESISTANCE: 30mΩ MAX;
- 4) WITHSTANDING VOLTAGE: 500V R.M.S.;
- 5) OPERATING TEMPERATURE: -40°C TO +85°C.

2. Mechanical:

- 1) Mating Force: 35N MAX
- 2) Unmating Force: 10N MIN.

3. NOTE: 1. DIMENSIONS MARKED '▼' TO BE CHECKED BY Q.C & IPQC.

4. PART NO.

USAF-095N-1BLSU32

1: Au 1U*
5: Au 15U*
6: Au 30U*
W: WHITE
B: BLACK
BL: BLUE
1: PBT
2: PA6T
3: PA9T
4: LCP

Bill of materials:

NO	PARTS	MATERIAL	QTY	FINISHING	UNITS	mm	东莞市腾兴电子有限公司					
3	HOUSING	PBT+30%GF	1	UL94V-0	X. ±0.35	X.* ±2*	SEE NOTE	TITLE: USAF 3.0 AF 焊線180度 帶DIP直腳款		PART NO.: USAF-095N-1BLSU32		
2	SHELL	COPPER ALLOY	1	PLATED NICKEL	.X ±0.3	.X* ±1*		DR: gan 2013/3/6		DWG NO.: AII-SU32		
1	TERMINAL	COPPER ALLOY	9	PLATED GOLD/TIN	.XXX ±0.15	.XXX*		CHKD: gan 2013/3/6		SCALE SHEET REV. CUSTOMER DRAWING		
					THESE DRAWINGS AND SPECIFICATIONS ARE THE PROPERTY OF ACCURATE INNOTECH INC AND SHALL NOT BE REPRODUCED, COPIED OR USED IN ANY MANNER WITHOUT THE PRIOR WRITTEN CONSENT OF ACCURATE INNOTECH INC		Q'TY	APPD:	1:1	1/1	B	