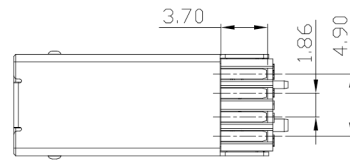
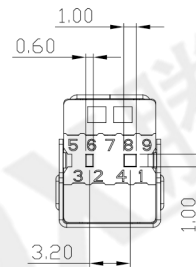
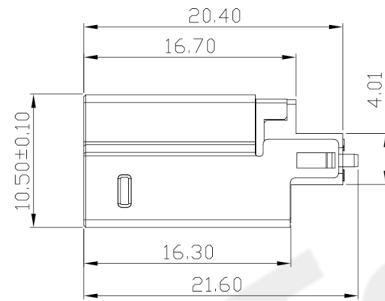
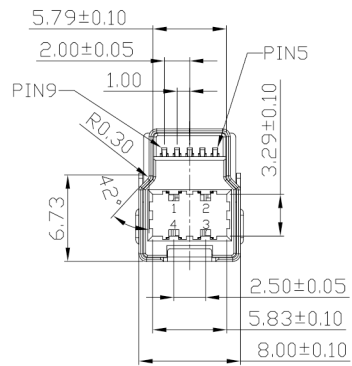




RoHS Compliant
2002/95/EC

REV	LTR	DESCRIPTION	DATE	REVISER	APPD



NOTES:

- ELECTRICAL:**
 - VOLTAGE CURRENT RATING: 1.8AMP (PIN1 AND PIN4 OF) 0.25AMP (ALL OTHERS), 30V AC;
 - INSULATION RESISTANCE: 100MΩ MIN;
 - CONTACT RESISTANCE: 30mΩ MAX.
FOR VBUS AND GND CONTACTS (PIN1, PIN4, PIN7); 50mΩ MAX. FOR ALL OTHER CONTACTS
 - WITHSTANDING VOLTAGE: 100V(RMS) AC;
 - OPERATING TEMPERATURE: -55°C TO +85°C.
- Mechanical:**
 - Mating Force: 35N MAX.
 - Unmating Force: 10N MIN.
8N Min After Durability.
- DIMENSIONS MARKED "▼"**
TO BE CHECKED BY Q.C & IPQC.

4. PART NO.

USBM-09*N-1BLSU34

1: Au 1U"
5: Au 15U"
6: Au 30U"

W: WHITE
B: BLACK
BL: BLUE

1PBT
2PA6T
3PA9T
4LCP

Bill of materials:

NO	PARTS	MATERIAL	QTY	FINISHING				
5					.X ±0.38	.X' ±3'	UNITS	mm
4	HOUSING	PBT+30%GF	1	UL94V-0	.XX ±0.25	.X' ±3'	MAT'L	
3	SHELL	SPCC	1	PLATED NICKEL	.XXX ±0.20	.XX' ±3'	SEE NOTE	
2	TERMINAL(4P)	COPPER ALLOY	4	PLATED GOLD/TIN			FINISH	
1	TERMINAL(5P)	COPPER ALLOY	5	PLATED GOLD/TIN			SEE NOTE	
							Q'TY	

THESE DRAWINGS AND SPECIFICATIONS ARE THE PROPERTY OF ACCURATE INNOTECH INC AND SHALL NOT BE REPRODUCED, COPIED OR USED IN ANY MANNER WITHOUT THE PRIOR WRITTEN CONSENT OF ACCURATE INNOTECH INC

东莞市腾兴电子有限公司			
TITLE: USB 3.0 BM 短体 手工焊线款 一件式		PART NO.: USBM-09XN-1BLSU34	
DR: <i>Ricky</i> 2019/08/26		DWG NO.: AII-SU34	
CHKD: <i>Ricky</i> 2019/08/26		SCALE	SHEET
APPD:		1:1	1/1
		REV.	CUSTOMER DRAWING
		B	