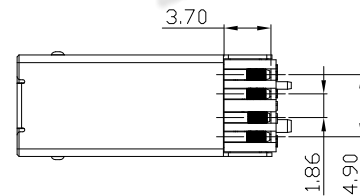
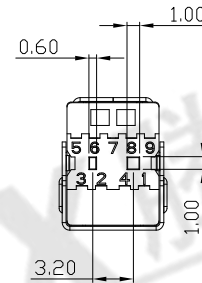
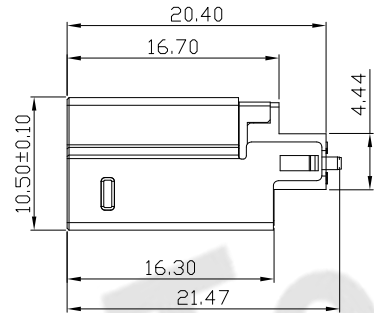
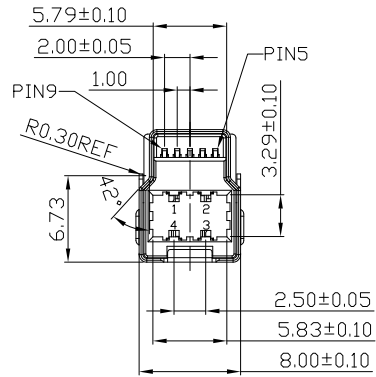
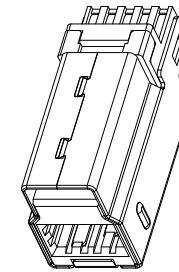
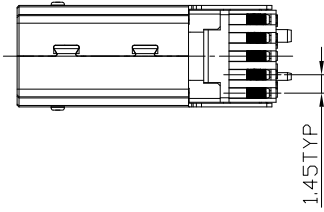




RoHS  
Compliant  
2002/95/EC

REV	LTR	DESCRIPTION	DATE	REVISER	APPD



NOTES:

- ELECTRICAL:
  - VOLTAGE CURRENT RATING: 1.8AMP (PIN1 AND PIN4 OF) 0.25AMP (ALL OTHERS), 30V AC;
  - INSULATION RESISTANCE: 100MΩ MIN;
  - CONTACT RESISTANCE: 30mΩ MAX. FOR VBUS AND GND CONTACTS (PIN1, PIN4, PIN7); 50mΩ MAX. FOR ALL OTHER CONTACTS
  - WITHSTANDING VOLTAGE: 100V (RMS) AC;
  - OPERATING TEMPERATURE: -55°C TO +85°C.
- Mechanical:
  - Mating Force: 35N MAX.
  - Unmating Force: 10N MIN. 8N Min After Durability.
- DIMENSIONS MARKED "▼" TO BE CHECKED BY Q.C & IPQC.

4. PART NO.

USBM-09\*N-1BLSU35

1: Au 1U"  
5: Au 15U"  
6: Au 30U"

W: WHITE  
B: BLACK  
BL: BLUE

1: PBT  
2: PA6T  
3: PA9T  
4: LCP

Bill of materials:

NO	PARTS	MATERIAL	QTY	FINISHING	.X ±0.38	.X' ±3'	UNITS
5					.XX ±0.25	.X' ±3'	mm
4	HOUSING	PBT+30%GF	1	UL94V-0	.XXX ±0.20	.XX' ±3'	MAT'L
3	SHELL	SPCC	1	PLATED NICKEL			SEE NOTE
2	TERMINAL(4P)	COPPER ALLOY	4	PLATED GOLD/TIN			FINISH
1	TERMINAL(5P)	COPPER ALLOY	5	PLATED GOLD/TIN			SEE NOTE
							Q'TY

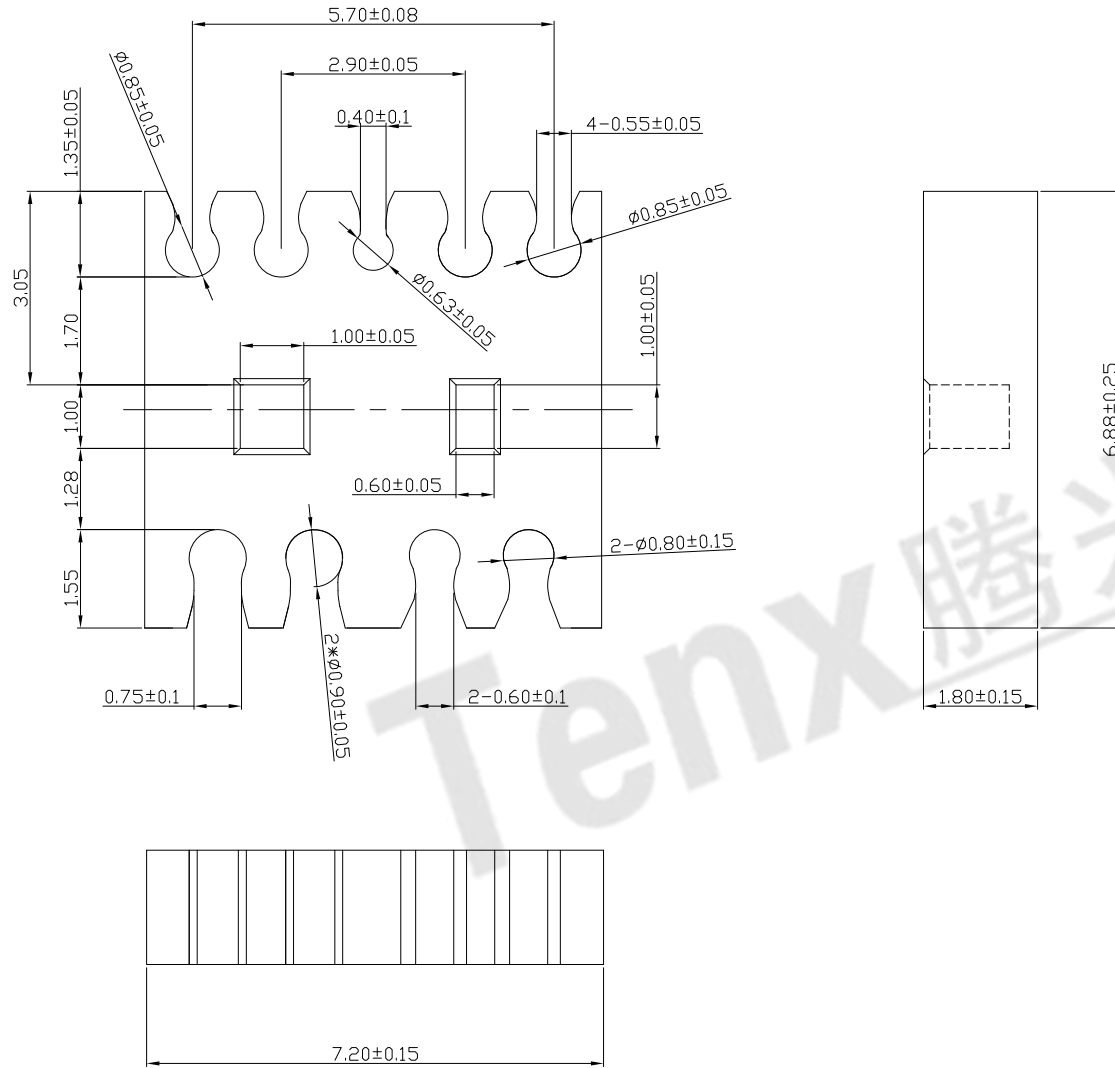
THESE DRAWINGS AND SPECIFICATIONS ARE THE PROPERTY OF ACCURATE INNTECH INC. AND SHALL NOT BE REPRODUCED, COPIED OR USED IN ANY MANNER WITHOUT THE PRIOR WRITTEN CONSENT OF ACCURATE INNTECH INC.

<b>东莞市腾兴电子有限公司</b>			
TITLE: USB 3.0 BM 短体 自动焊线款 一件式		PART NO.: USBM-09XN-1BLSU35	
DR: <i>Ricky</i> 2019/08/26		DWG NO.: AII-SU35	
CHKD: <i>Ricky</i> 2019/08/26		SCALE	SHEET
APPD:		1:1	1/1
		REV.	CUSTOMER
		B	DRAWING



RoHS  
Compliant  
2002/95/EC

REV	LTR	DESCRIPTION	DATE	REVISER	APPD



NOTES:

- 品质要求事项  
1) 最大毛边不可超0.03mm ;  
2) 最大扭曲变形不可超过0.05mm ;  
3) 未标示之R角以0.15mm处理，  
未标示之倒角以 0.15mm处理；
- DIMENSIONS MARKED "▼"  
TO BE CHECKED BY Q.C & IPQC.

3. PART NO.

USBM-09XN-6BSU30-CA

B: BLACK  
6PA66

Bill of materials:

NO	PARTS	MATERIAL	QTY	FINISHING	UNITS	MAT'L	TITLE:	PART NO.:	
5					.X ±0.38	X.* ±3*	<b>东莞市腾兴电子有限公司</b> USB 3.0 BM 28#24# E款理线夹 DR: Ricky 2019/08/26 CHKD: Ricky 2019/08/26 APPD:	USBM-09XN-6BSU30-CA AII-SU30-CA	
4				.XX ±0.25	.X* ±3*	SEE NOTE			SCALE
3				.XXX ±0.20	.XX* ±3*	SEE NOTE			SHEET
2						Q'TY			REV.
1	CABLE CLAMP	PA66+30%GF	1	UL94V-0					CUSTOMER DRAWING
<small>THESE DRAWINGS AND SPECIFICATIONS ARE THE PROPERTY OF ACCURATE INNOTECH INC AND SHALL NOT BE REPRODUCED, COPIED OR USED IN ANY MANNER WITHOUT THE PRIOR WRITTEN CONSENT OF ACCURATE INNOTECH INC</small>					1:1 1/1 B				