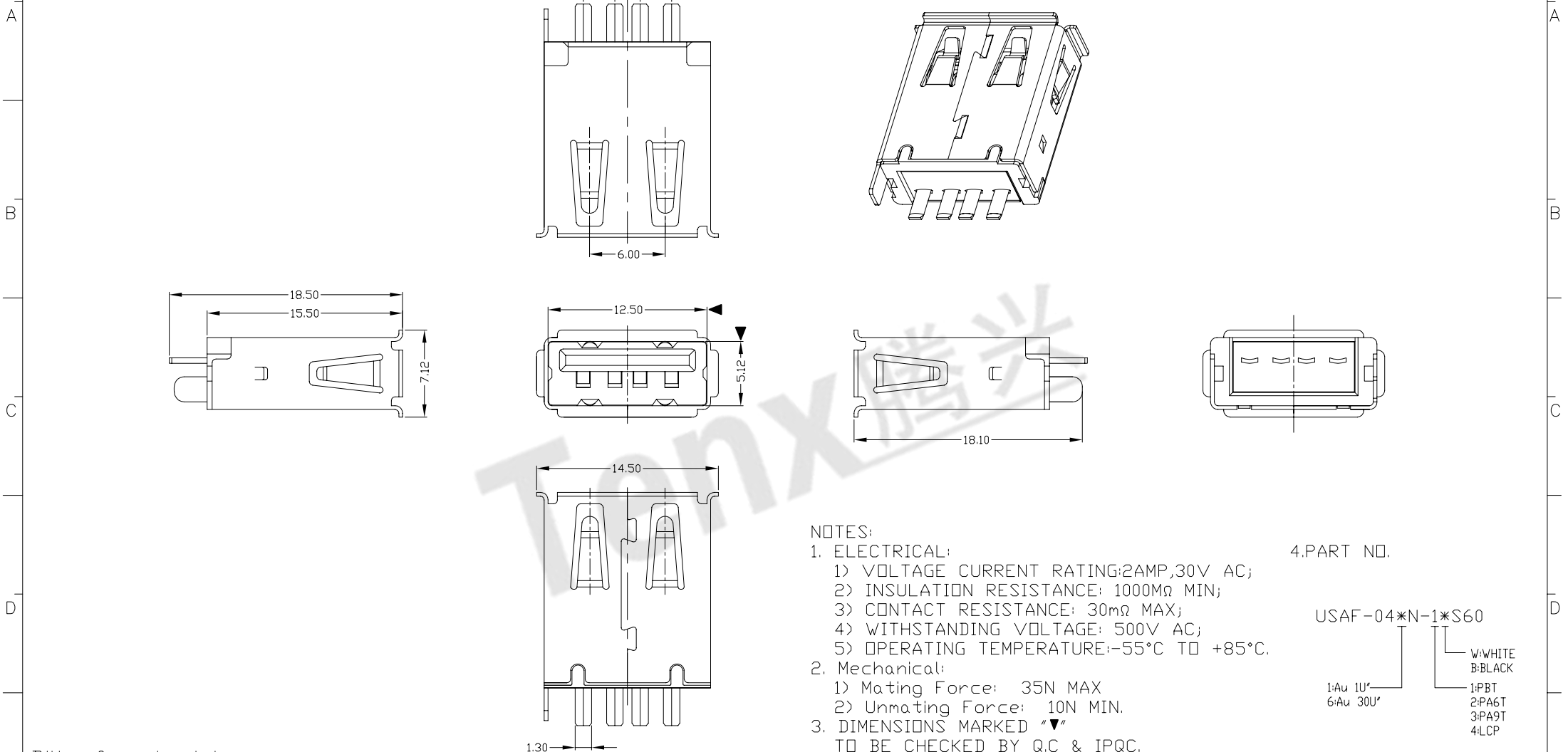




RoHS
Compliant
2002/95/EC

REV.	ECN.	NO.	APPD.



NOTES:
 1. ELECTRICAL:
 1) VOLTAGE CURRENT RATING: 2AMP, 30V AC;
 2) INSULATION RESISTANCE: 1000MΩ MIN;
 3) CONTACT RESISTANCE: 30mΩ MAX;
 4) WITHSTANDING VOLTAGE: 500V AC;
 5) OPERATING TEMPERATURE: -55°C TO +85°C.
 2. Mechanical:
 1) Mating Force: 35N MAX
 2) Unmating Force: 10N MIN.
 3. DIMENSIONS MARKED "▼"
 TO BE CHECKED BY Q.C & IPQC.

4. PART NO.
 USAF-04*N-1*S60
 1: Au 1U*
 6: Au 30U*
 W: WHITE
 B: BLACK
 1: PBT
 2: PA6T
 3: PA9T
 4: LCP

Bill of materials:

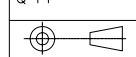
3	HOUSING	PBT	1	UL94V-0
2	SHELL	COPPER ALLOY	1	PLATED NICKEL
1	TERMINAL	COPPER ALLOY	4	PLATED GOLD/TIN
NO	PARTS	MATERIAL	QTY	FINISHING

X. ±0.35	X.* ±2*	UNITS	mm
.X ±0.3	.X.* ±1*	MAT'L	SEE NOTE
.XX ±0.25	.XX*	FINISH	SEE NOTE
.XXX ±0.15	.XXX*	Q'TY	SEE NOTE

东莞市腾兴电子有限公司

TITLE: USB AF 180° 焊线式	PART NO.: USAF-04*N-1*S60
DR: gan 2012/06/30	DWG NO.: AII-S60
CHKD: gan 2012/06/30	SCALE SHEET REV. CUSTOMER 1:1 1/1 B DRAWING
APPD:	

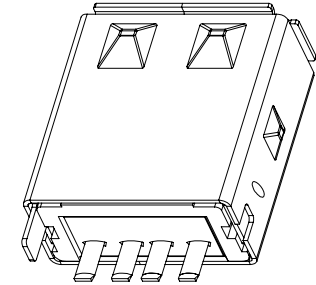
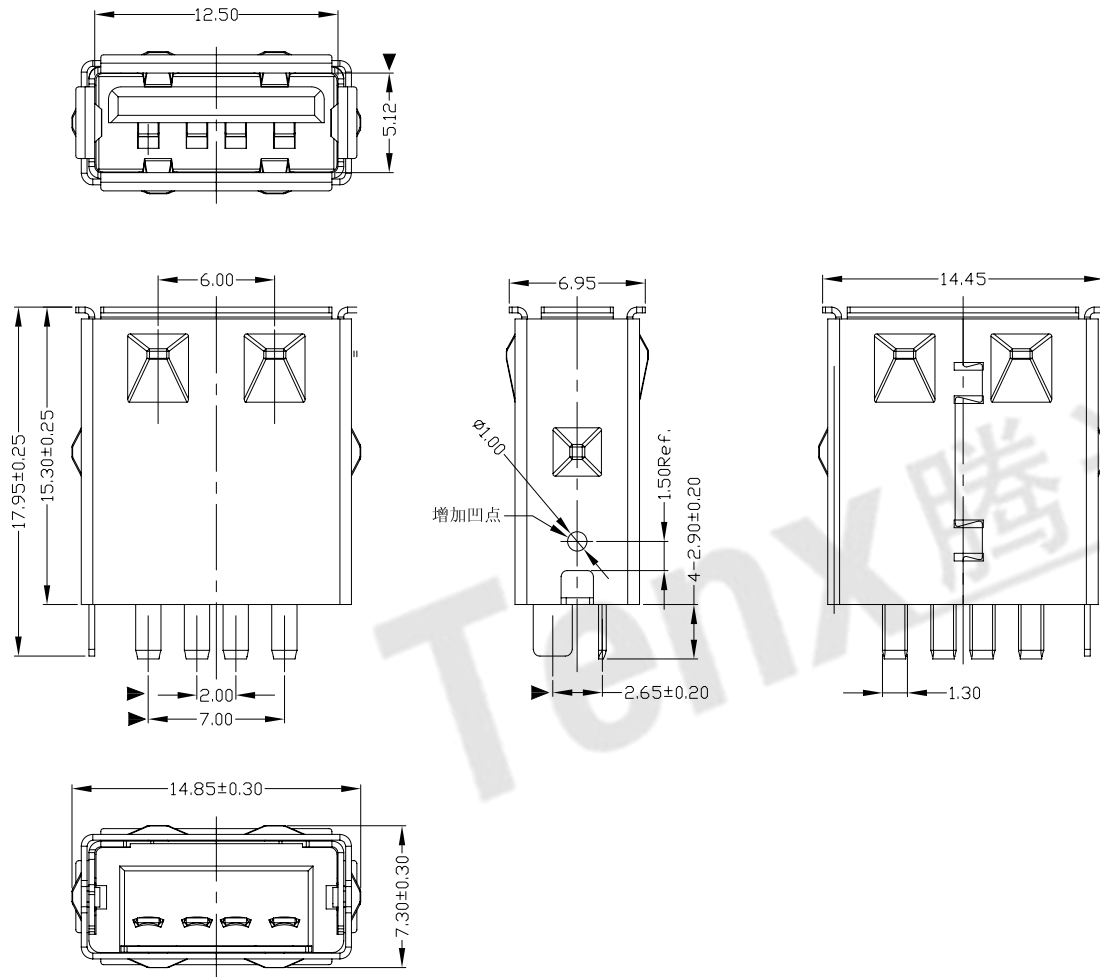
THESE DRAWINGS AND SPECIFICATIONS ARE THE PROPERTY OF ACCURATE INNDTECH INC AND SHALL NOT BE REPRODUCED, COPIED OR USED IN ANY MANNER WITHOUT THE PRIOR WRITTEN CONSENT OF ACCURATE INNDTECH INC.





RoHS
Compliant
2002/95/EC

REV.	ECN.	NO.	APPD.



NOTES:

- ELECTRICAL:
 - VOLTAGE CURRENT RATING: 2AMP, 30V AC;
 - INSULATION RESISTANCE: 100MΩ MIN;
 - CONTACT RESISTANCE: 30mΩ MAX;
 - WITHSTANDING VOLTAGE: 500V AC;
 - OPERATING TEMPERATURE: -55°C TO +85°C.
- Mechanical:
 - Mating Force: 35N MAX
 - Unmating Force: 10N MIN.
- NOTE: 1. DIMENSIONS MARKED "▼" TO BE CHECKED BY Q.C & IPQC.
- PART NO.

USAF-04*N-1*S60-C

1: Au 1U*
6: Au 30U*
W: WHITE
B: BLACK
1: PBT
2: PA6T
3: PA9T
4: LCP

Bill of materials:

NO	PARTS	MATERIAL	QTY	FINISHING									
4	AEGIS SHELL	SPCC	1	PLATED NICKEL	X. ±0.35	X.* ±2*	UNITS	mm	东莞市腾兴电子有限公司				
3	HOUSING	PBT	1	UL94V-0	.X ±0.3	.X.* ±1*	MAT'L						
2	SHELL	COPPER ALLOY	1	PLATED NICKEL	.XX ±0.25	.XX*	SEE NOTE						
1	TERMINAL	COPPER ALLOY	4	PLATED GOLD/TIN	.XXX ±0.15	.XXX*	FINISH						
							SEE NOTE		TITLE:	PART NO.:			
							Q'TY		AF 焊線式 180度 加護套	USAF-04*N-1*S60-C			
									DR: gan 2012/06/30	DWG NO.:			
									CHKD: gan 2012/06/30	AII-S60-C			
									APPD:	SCALE	SHEET	REV.	CUSTOMER DRAWING
										1:1	1/1	B	

THESE DRAWINGS AND SPECIFICATIONS ARE THE PROPERTY OF ACCURATE INNOTECH INC AND SHALL NOT BE REPRODUCED, COPIED OR USED IN ANY MANNER WITHOUT THE PRIOR WRITTEN CONSENT OF ACCURATE INNOTECH INC.