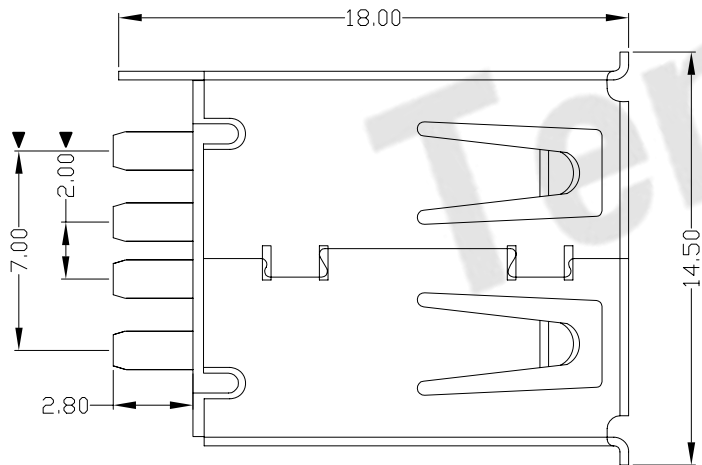
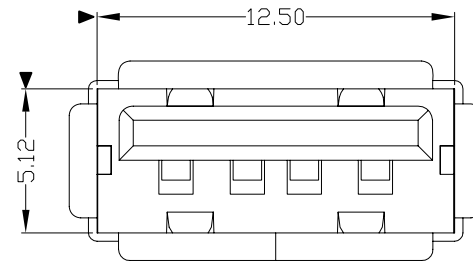
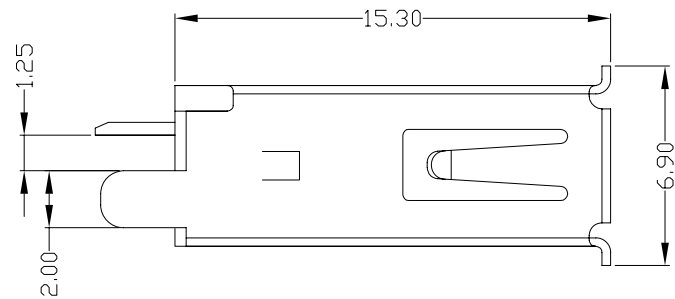




RoHS
Compliant
2002/95/EC

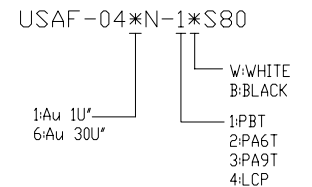
REV.	ECN.	NO.	APPD.



NOTES:

- ELECTRICAL:
 - VOLTAGE CURRENT RATING: 2AMP, 30V AC;
 - INSULATION RESISTANCE: 100MΩ MIN;
 - CONTACT RESISTANCE: 30mΩ MAX;
 - WITHSTANDING VOLTAGE: 500V AC;
 - OPERATING TEMPERATURE: -55°C TO +85°C.
- Mechanical:
 - Mating Force: 35N MAX
 - Unmating Force: 10N MIN.
- NOTE: 1. DIMENSIONS MARKED "▼"
TO BE CHECKED BY Q.C & IPQC.

4. PART NO.



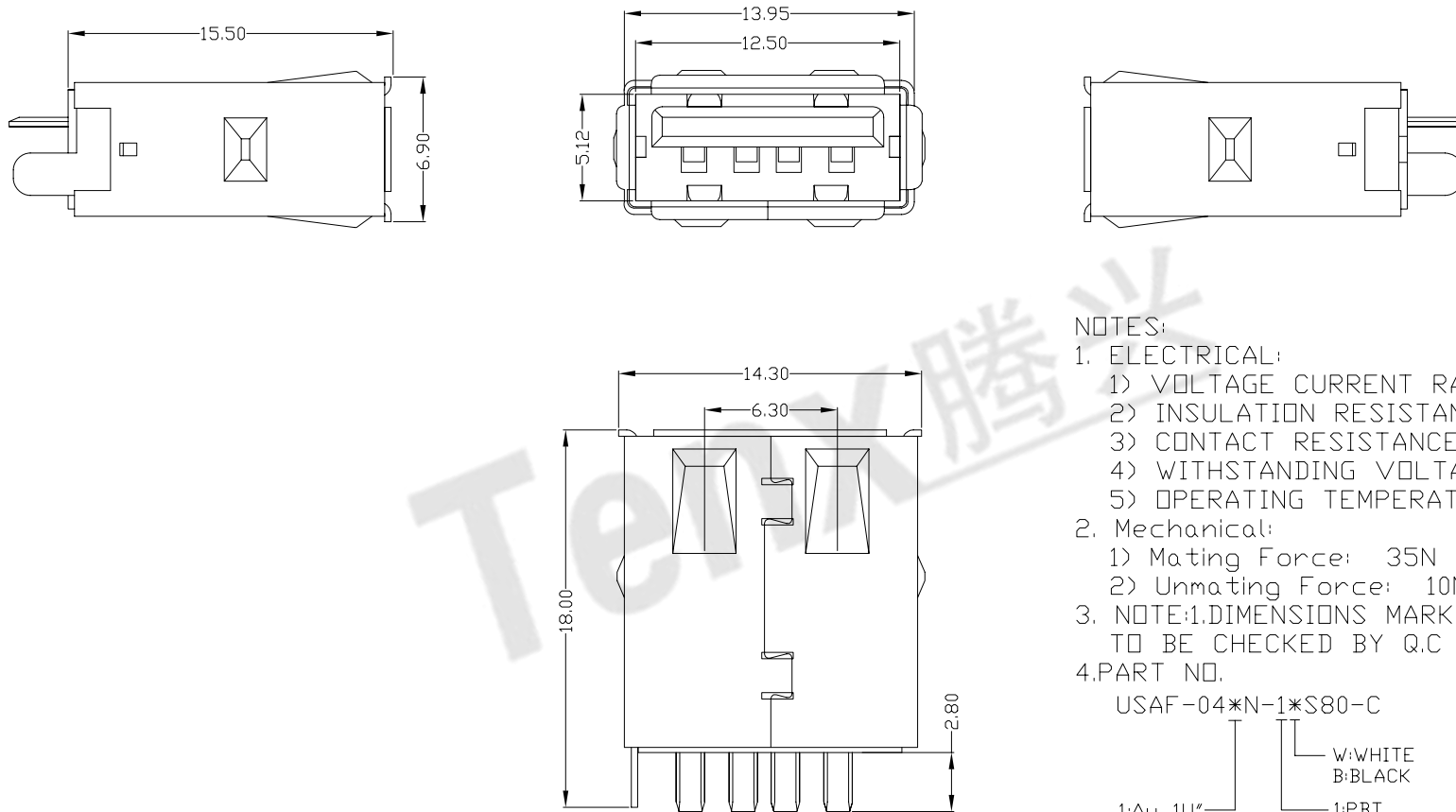
Bill of materials:

NO	PARTS	MATERIAL	QTY	FINISHING	UNITS	mm	东莞市腾兴电子有限公司						
3	HOUSING	PBT	1	UL94V-0	X. ±0.35	X.* ±2*	SEE NOTE	TITLE:		PART NO.:			
2	SHELL	COPPER ALLOY	1	PLATED NICKEL	.X ±0.3	.X* ±1*		USB A/F 180° 焊线式		USAF-04*N-1*S80			
1	TERMINAL	COPPER ALLOY	4	PLATED GOLD/TIN	.XXX ±0.15	.XXX*	SEE NOTE	DR: gan 2012/7/03		DWG NO.:			
					THESE DRAWINGS AND SPECIFICATIONS ARE THE PROPERTY OF ACCURATE INNGTECH INC AND SHALL NOT BE REPRODUCED, COPIED OR USED IN ANY MANNER WITHOUT THE PRIOR WRITTEN CONSENT OF ACCURATE INNGTECH INC.		SEE NOTE	CHKD: gan 2012/7/03		AII-S80			
					Q'TY			APPD:		SCALE	SHEET	REV.	CUSTOMER DRAWING
										1:1	1/1	B	



RoHS
Compliant
2002/95/EC

REV.	ECN.	NO.	APPD.



NOTES:

1. ELECTRICAL:

- 1) VOLTAGE CURRENT RATING: 2AMP, 30V AC;
- 2) INSULATION RESISTANCE: 1000MΩ MIN;
- 3) CONTACT RESISTANCE: 30mΩ MAX;
- 4) WITHSTANDING VOLTAGE: 500V AC;
- 5) OPERATING TEMPERATURE: -55°C TO +85°C.

2. Mechanical:

- 1) Mating Force: 35N MAX
- 2) Unmating Force: 10N MIN.

3. NOTE: 1. DIMENSIONS MARKED "▼" TO BE CHECKED BY Q.C & IPQC.

4. PART NO.

USAF-04*N-1*S80-C

- 1: Au 1U"
- 6: Au 30U"
- W: WHITE
- B: BLACK
- 1: PBT
- 2: PA6T
- 3: PA9T
- 4: LCP

Bill of materials:

NO	PARTS	MATERIAL	QTY	FINISHING											
4	HOUSING	PBT	1	UL94V-0	X. ±0.35	X.* ±2*	UNITS	mm	东莞市腾兴电子有限公司 TITLE: USB AF 180° 焊线式(加护套打点) PART NO.: USAF-04*N-1*S80-C DR: gan 2012/7/03 DWG NO.: AII-S80-C CHKD: gan 2012/7/03 APPD:						
3	JACKET SHELL	SPCC	1	PLATED NICKEL	.X ±0.3	.X.* ±1*	MAT'L	SEE NOTE							
2	SHELL	COPPER ALLOY	1	PLATED NICKEL	.XX ±0.25	.XX*	FINISH	SEE NOTE							
1	TERMINAL	COPPER ALLOY	4	PLATED GOLD/TIN	.XXX ±0.15	.XXX*	Q'TY	SEE NOTE							
THESE DRAWINGS AND SPECIFICATIONS ARE THE PROPERTY OF ACCURATE INNGTECH INC AND SHALL NOT BE REPRODUCED, COPIED OR USED IN ANY MANNER WITHOUT THE PRIOR WRITTEN CONSENT OF ACCURATE INNGTECH INC.							SCALE: 1:1 SHEET: 1/1 REV.: B CUSTOMER DRAWING								