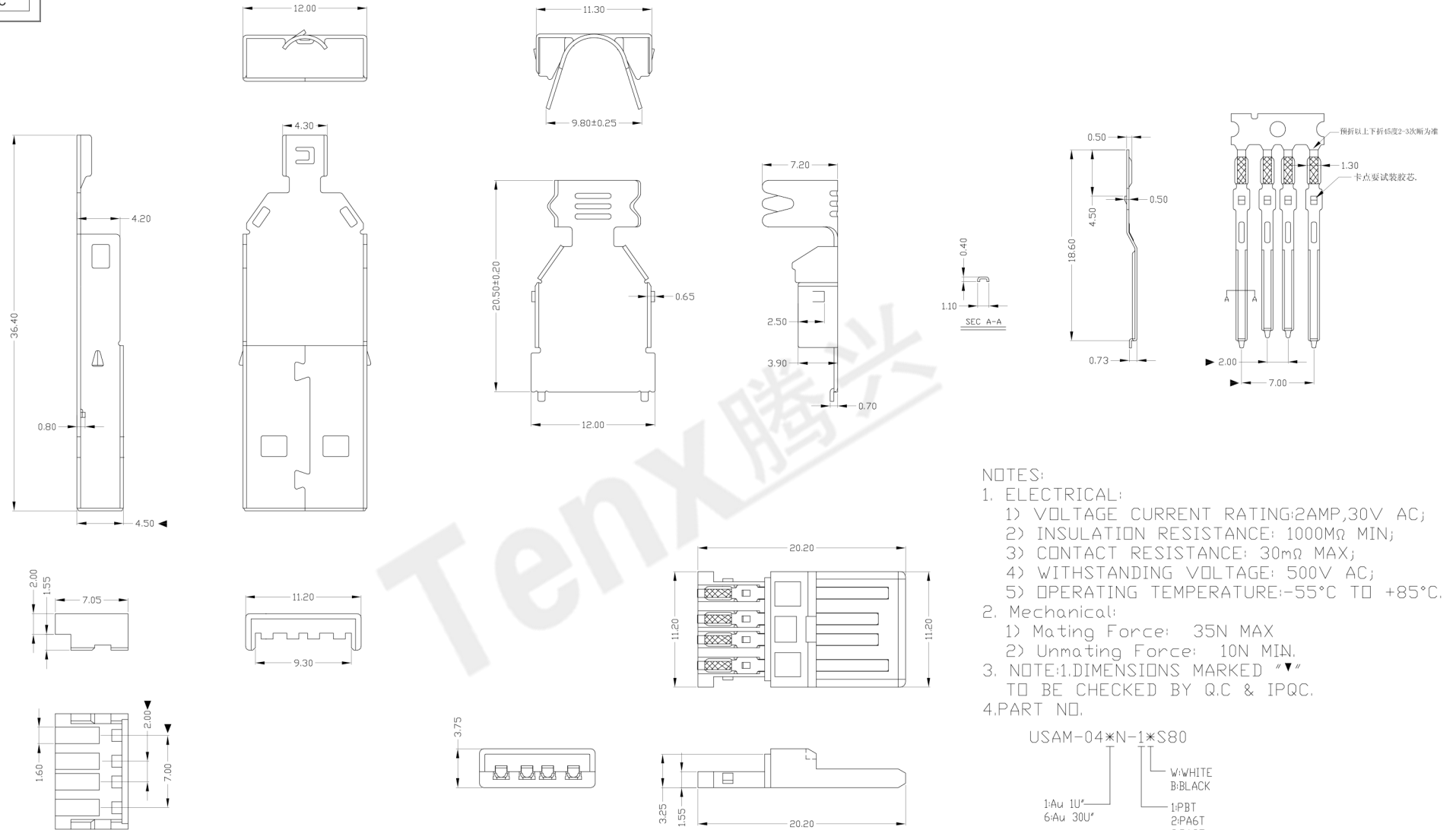




RoHS  
Compliant  
2002/95/EC

REV	LTR	DESCRIPTION	DATE	REVISER	APPD



NOTES:

1. ELECTRICAL:

- VOLTAGE CURRENT RATING: 2AMP, 30V AC;
- INSULATION RESISTANCE: 1000MΩ MIN;
- CONTACT RESISTANCE: 30mΩ MAX;
- WITHSTANDING VOLTAGE: 500V AC;
- OPERATING TEMPERATURE: -55°C TO +85°C.

2. Mechanical:

- Mating Force: 35N MAX
- Unmating Force: 10N MIN.

- NOTE: 1. DIMENSIONS MARKED "▼" TO BE CHECKED BY Q.C & IPQC.
- PART NO.

USAM-04\*N-1\*S80

1: Au 1U\*  
6: Au 30U\*  
W: WHITE  
B: BLACK  
1: PBT  
2: PA6T  
3: PA9T  
4: LCP

Bill of materials:

NO	PARTS	MATERIAL	QTY	FINISHING	X. ±0.35	X.* ±2*
4	HOUSING	PBT	1	UL94V-0	X. ±0.35	X.* ±2*
3	UP SHELL	SPCC	1	PLATED NICKEL	.X ±0.3	.X* ±1*
2	DOWN SHELL	SPCC	1	PLATED NICKEL	.XX ±0.25	.XX*
1	TERMINAL	COPPER ALLOY	4	PLATED GOLD/TIN	.XXX ±0.15	.XXX*

THESE DRAWINGS AND SPECIFICATIONS ARE THE PROPERTY OF ACCURATE INNOTECH INC AND SHALL NOT BE REPRODUCED, COPIED OR USED IN ANY MANNER WITHOUT THE PRIOR WRITTEN CONSENT OF ACCURATE INNOTECH INC.

UNITS	东莞市腾兴电子有限公司			
mm	TITLE: USB A/M 长体蝴蝶扣平端大线夹 (四件套)		PART NO.: USAM-04*N-1*S80	
MAT'L	DR: gan 2012/7/04		DWG NO.: AII-S80	
SEE NOTE	CHKD: gan 2012/7/04		SCALE	SHEET
FINISH	APPD:		1:1	1/1
SEE NOTE	REV.	B	CUSTOMER	DRAWING
Q'TY				