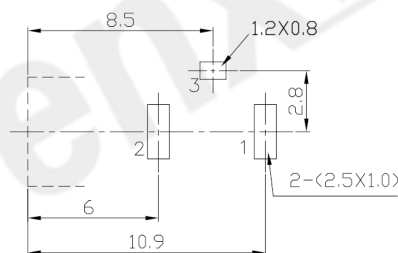
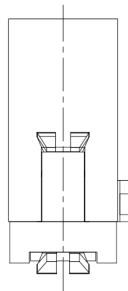
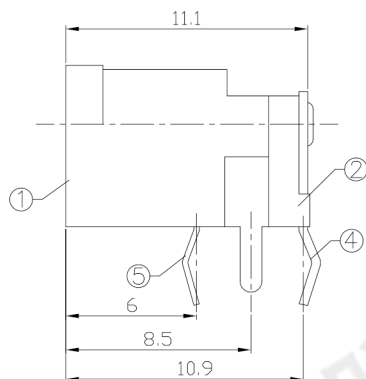
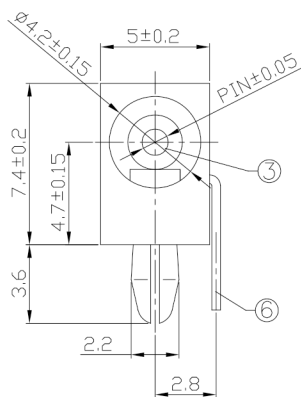




RoHS Compliant
2002/95/EC

REV.	ECN.	NO.	APPD.

DIMENSIONS



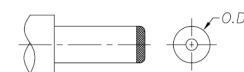
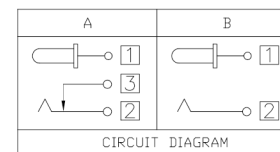
Recommended PCB Layout
(Tolerance±0.05)
(Copper-sided View)

MODEL CODE:

- DCB0-0002A- A □ PB BK S 0 4
 (1) (2) (3)(4) (5) (6) (7)(8) (9)
 (1):Series type:DIP DC POWER JACK.
 (2):Series No.
 (3):Schematic option: A , B
 (4):Center pin diameter:
 C=φ1.0 , E=φ1.3 , G=φ1.65
 (5):Material of housing:
 PB=PBT, 46=PA46, 9T=PA9T
 (6):Housing color:
 BK=Black (Standard)
 (7):Terminal plating
 S=Silver(Ag)
 (8):Special option:
 0=No special opion
 (9):Packing mode:
 4=Bag packing

SPECIFICATION

- Rating : DC 30V 1A;
- Contact resistance: ≤50mΩ;
After test:≤100mΩ
- Insulation resistance: ≥100MΩ (DC500V);
After test:≥50MΩ
- Withstand voltage: 500VAC ;
- Insertion and extraction force: 3-30N;
- life test: 5,000 cycles;
- Operation temperature range:-20°C~70°C;
- Preservative temperature range:-40°C~85°C;



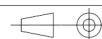
DC MATE PLUG

Model No.	C	E	G
CENTER PIN	φ1.0	φ1.3	φ1.65
DC PLUG O.D.	φ3.5	φ3.5	φ4.00

○: ITEM NO. □: TERMINAL NO.

NO.	PARTS	MATERIAL	Q'TY	FINISHING	TOLERANCE	ANGLES	UNITS
⑥	Shunt terminal ③	Brass t=0.4	1	Silver Plating	±0.3	±2°	mm
⑤	Tip spring ②	SUS301 t=0.2	1	Silver Plating			MAT'L
④	Center pin terminal ①	Brass t=0.4	1	Silver Plating			SEE NOTE
③	Center pin ①	Brass	1	Nickel plating			FINISH
②	Cover	PBT/PA46/PA9T UL94V-0	1				SEE NOTE
①	Housing	PBT/PA46/PA9T UL94V-0	1				Q'TY

THESE DRAWINGS AND SPECIFICATIONS ARE THE PROPERTY OF ACCURATE INNOVATION INC AND SHALL NOT BE REPRODUCED, COPIED OR USED IN ANY MANNER WITHOUT THE PRIOR WRITTEN CONSENT OF ACCURATE INNOVATION INC.



东莞市腾兴电子有限公司

TITLE: DIP DC POWER JACK		PART NO.: DCB0-0002A	
DR: Ricky 2019/03/04		DWG NO.: AB0-0002A	
CHKD: Ricky 2019/03/04		SCALE: 1:1	SHEET: 1/1
APPD:		REV: A	CUSTOMER DRAWING