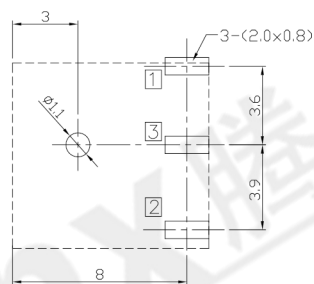
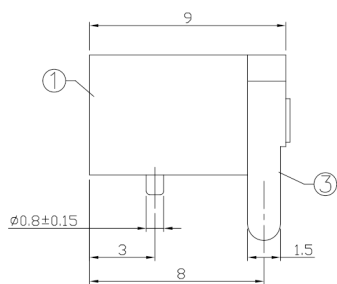
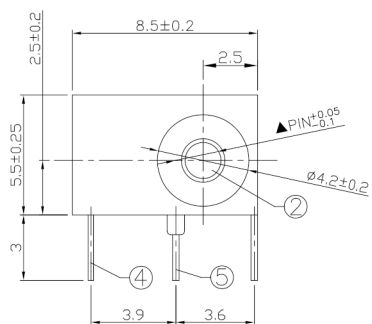




RoHS
Compliant
2002/95/EC

REV.	ECN.	NO.	APPD.

DIMENSIONS



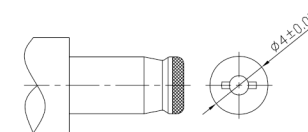
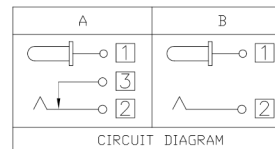
Recommended PCB Layout
(Tolerance±0.05)
(Copper-sided View)

MODEL CODE:

DCB0-0006D- A □ 66 BK T 0 4
 (1) (2) (3)(4) (5) (6) (7)(8) (9)
 (1):Series type:DIP DC POWER JACK.
 (2):Series No.
 (3):Schematic option: A , B
 (4):Center pin diameter:
 G=φ1.65 ,H=φ2.0
 (5):Material of housing:
 66=PA66 (Standard)
 (6):Housing color:
 BK=Black
 (7):Terminal plating
 T=Tin(Sn)
 (8):Special option:
 0=No special opion
 (9):Packing mode:
 4=Bag packing

Specification:

- Rating : DC 20V/2A.
- Contact resistance : ≤30mΩ
After test:≤50mΩ
- Insulation resistance : ≥100MΩ (500VDC).
After test:≥50MΩ
- Withstanding voltage: 500VAC.
- Insertion and extraction force: 3N~30N.
- Life test: 5000 cycles min.
- Operation temperature range:-20℃~70℃.
- Preservative temperature range:-40℃~85℃.



DC MATE PLUG

Model No.	G	H
CENTER PIN	φ1.65	φ2.0

○: ITEM NO. □: TERMINAL NO.

NO.	PARTS	MATERIAL	Q'TY	FINISHING	TOLERANCE	ANGLES	UNITS	mm			
⑤	Shunt terminal ③	Brass t=0.3mm	1	Tin plating	±0.3	±2°	MAT'L	SEE NOTE			
④	Tip spring ②	Sainless steel t=0.25mm	1	Tin plating							
③	Center pin terminal ①	Brass t=0.3mm	1	Tin plating							
②	Center pin ①	Brass	1	Nickel plating							
①	Housing	PA66	1	Black							
THESE DRAWINGS AND SPECIFICATIONS ARE THE PROPERTY OF ACCURATE INNO TECH INC AND SHALL NOT BE REPRODUCED, COPIED OR USED IN ANY MANNER WITHOUT THE PRIOR WRITTEN CONSENT OF ACCURATE INNO TECH INC.					FINISH SEE NOTE		Q'TY 				
东莞市腾兴电子有限公司 DIP DC POWER JACK DCB0-0006D DR: Ricky 2019/03/06 DWG NO.: AB0-0006D CHKD: Ricky 2019/03/06 APPD:								SCALE	SHEET	REV.	CUSTOMER
								1:1	1/1	A	DRAWING