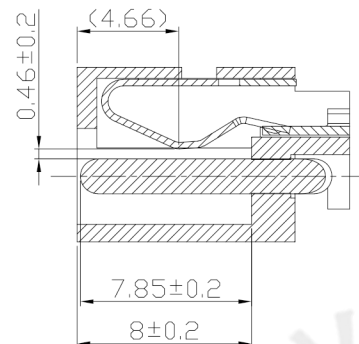
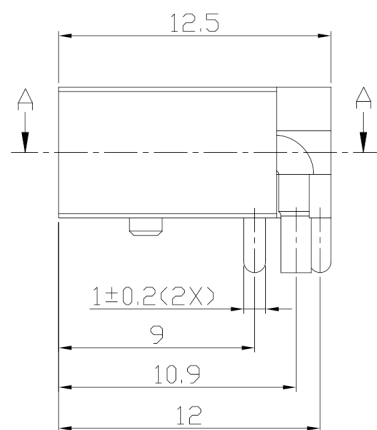
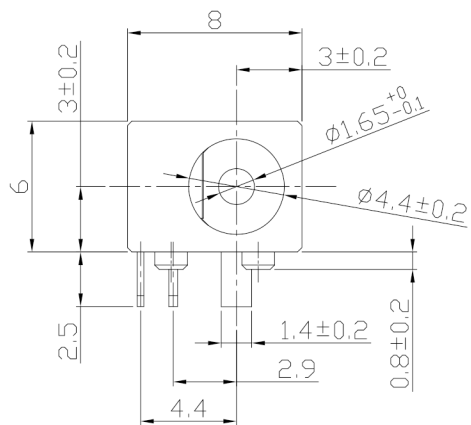




RoHS  
Compliant  
2002/95/EC

REV.	ECN.	NO.	APPD.

### DIMENSIONS



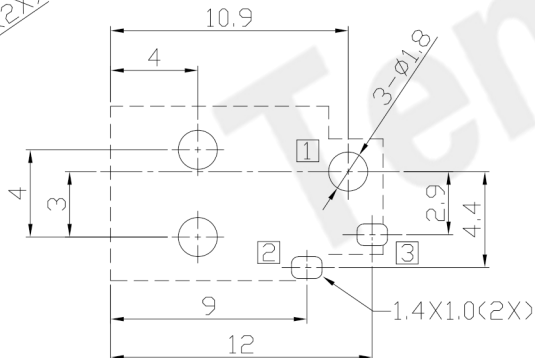
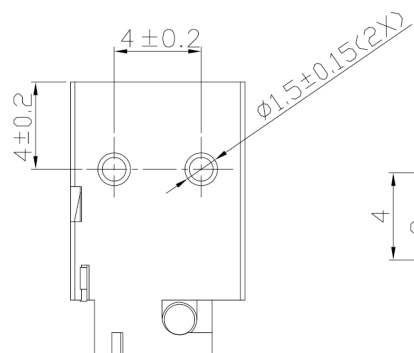
Section: A-A

### MODEL CODE:

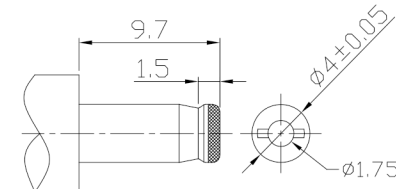
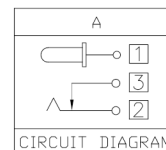
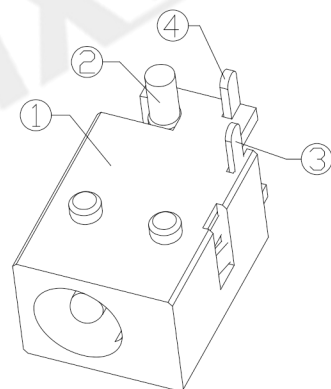
- DCB0-0023A- A G PB BK S 0 4  
 (1) (2) (3)(4) (5) (6) (7)(8) (9)  
 (1):Series type:DIP DC POWER JACK.  
 (2):Series No.  
 (3):Schematic option: A  
 (4):Center pin diameter:  
 G=φ1.65  
 (5):Material of housing:  
 PB=PBT  
 (6):Housing color:  
 BK=Black , 4D=Yellow(0417)  
 (7):Terminal plating  
 S=Silver(Ag)  
 (8):Special option:  
 0=No special option  
 (9):Packing mode:  
 4=Bag packing

### SPECIFICATION:

- Rating : DC 20V 3A;
- Contact resistance: ≤30mΩ;  
After test:≤50mΩ
- Insulation resistance: ≥100MΩ (DC500V);  
After test:≥50MΩ
- Withstand voltage: 500VAC ;
- Insertion and extraction force: 3-30N;
- life test: 5,000 cycles;
- Operation temperature range:-20°C~70°C;
- Preservative temperature range:-40°C~85°C;



RECOMMENDED P.C.B. LAYOUT  
 UNSPECIFIED TOLERANCE:±0.05  
 (BOTTOM VIEW)



DC MATE PLUG

○: ITEM NO. □: TERMINAL NO.

NO.	PARTS	MATERIAL	Q'TY	FINISHING	TOLERANCE	ANGLES	UNITS	mm	东莞市腾兴电子有限公司					
④	Shunt terminal ③	Brass t=0.4	1	Silver plating	±0.3	±2°	MAT'L	SEE NOTE	TITLE: DIP DC POWER JACK		PART NO.: DCB0-0023A			
③	Tip spring ②	Phosphor bronze t=0.3	1	Silver plating			FINISH	SEE NOTE	DR: Ricky 2019/04/10		DWG NO.: AB0-0023A			
②	Center pin ①	Brass	1	Silver plating			Q'TY		CHKD: Ricky 2019/04/10		SCALE	SHEET	REV.	CUSTOMER
①	Housing	PBT	1						APPD:		1:1	1/1	A	DRAWING
									THESE DRAWINGS AND SPECIFICATIONS ARE THE PROPERTY OF ACCURATE INNO TECH INC AND SHALL NOT BE REPRODUCED, COPIED OR USED IN ANY MANNER WITHOUT THE PRIOR WRITTEN CONSENT OF ACCURATE INNO TECH INC.					