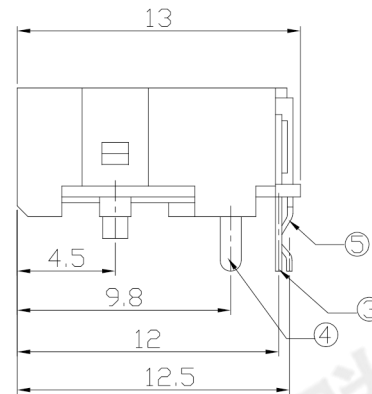
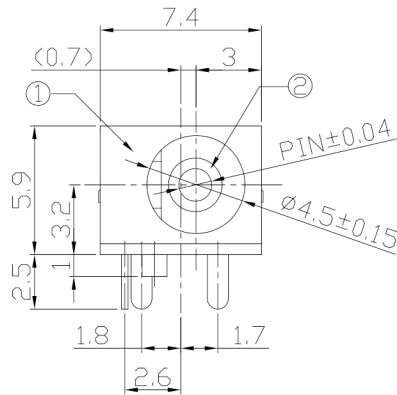




RoHS
Compliant
2002/95/EC

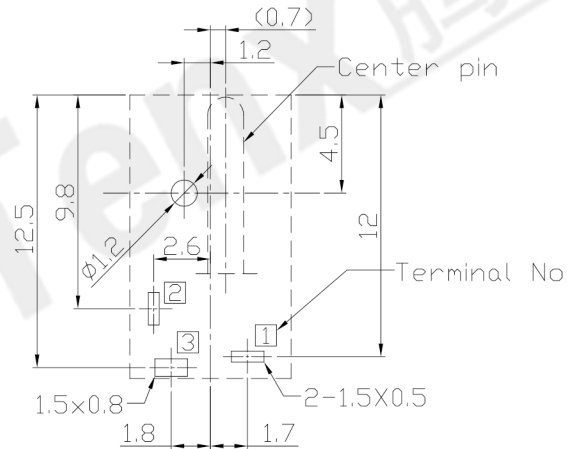
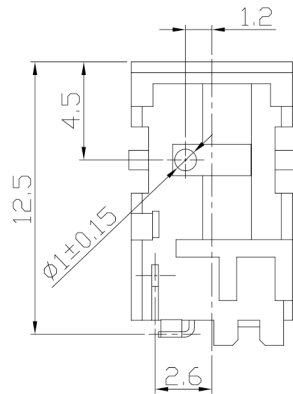
REV.	ECN.	NO.	APPD.

DIMENSIONS



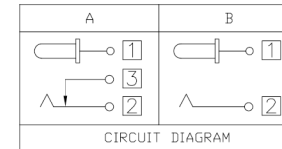
MODEL CODE:

- DCB0-0030A- A G PB BK S 0 3
 (1) (2) (3)(4) (5) (6) (7)(8) (9)
 (1):Series type:DIP DC POWER JACK.
 (2):Series No.
 (3):Schematic option: A , B
 (4):Center pin diameter:
 G=φ1.65
 (5):Material of housing:
 PB=PBT
 (6):Housing color:
 BK=Black (Standard)
 (7):Terminal plating
 S=Silver(Ag) (Standard)
 (8):Special option:
 0=No special opion
 (9):Packing mode:
 3=Plastic box packing

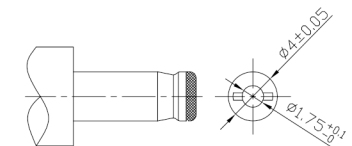


SPECIFICATION:

- Rating : DC 20V 3A;
- Contact resistance: ≤30mΩ;
- Insulation resistance: ≥100MΩ (DC250V);
- Withstand voltage: 500VAC ;
- Insertion and extraction force: 3-30N;
- life test: 5,000 cycles;
- Operation temperature range:-20°C~70°C;
- Preservative temperature range:-40°C~85°C;



Model No.	G
CENTER PIN	φ1.65



○: ITEM NO. □: TERMINAL NO.

NO.	PARTS	MATERIAL	Q'TY	FINISHING	TOLERANCE	ANGLES	UNITS	mm
⑤	Shunt terminal ③	Brass t=0.25	1	Silver plating	±0.3	±2°	MAT'L	
④	Tip spring ②	Phosphor bronze t=0.3	1	Silver plating			SEE NOTE	
③	Center pin terminal ①	Brass t=0.3	1	Silver plating			FINISH	
②	Center pin ①	Brass	1	Nickel plating			SEE NOTE	
①	Housing	PBT/PA46	1				Q'TY	

THESE DRAWINGS AND SPECIFICATIONS ARE THE PROPERTY OF ACCURATE INNOVATECH INC AND SHALL NOT BE REPRODUCED, COPIED OR USED IN ANY MANNER WITHOUT THE PRIOR WRITTEN CONSENT OF ACCURATE INNOVATECH INC.

东莞市腾兴电子有限公司			
TITLE: DIP DC POWER JACK		PART NO.: DCB0-0030A	
DR: Ricky 2019/04/11		DWG NO.: AB0-0030A	
CHKD: Ricky 2019/04/11		SCALE: 1:1	SHEET: 1/1
APPD:		REV. A	CUSTOMER DRAWING