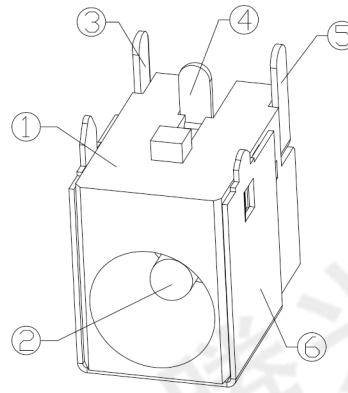
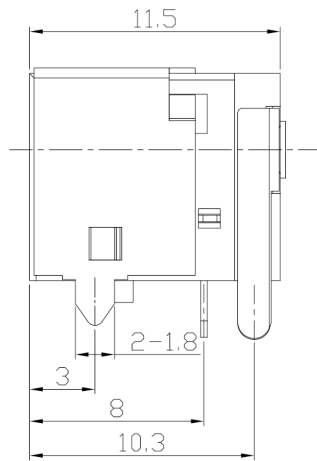
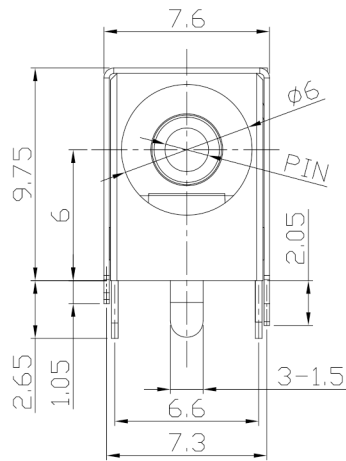




RoHS
Compliant
2002/95/EC

| REV. | ECN. | NO. | APPD. |
|------|------|-----|-------|
| | | | |
| | | | |

DIMENSIONS



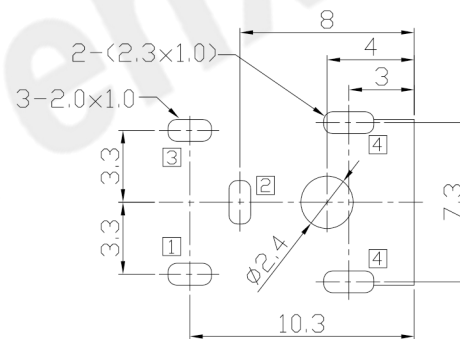
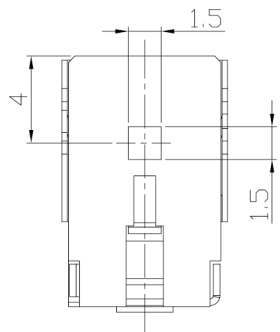
MODEL CODE:

DCB0-0036A- A □ PB BK S 0 4

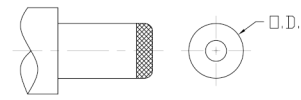
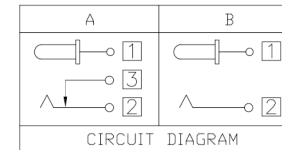
- (1) (2) (3)(4) (5) (6) (7)(8) (9)
- (1):Series type:DIP DC POWER JACK.
- (2):Series No.
- (3):Schematic option: A , B
- (4):Center pin diameter:
G=φ1.65 , H=φ2.0 , I=φ2.35 , J=φ2.5
- (5):Material of housing:
PB=PBT (Standard)
- (6):Housing color:
BK=Black
- (7):Terminal plating
S=Silver(Ag)
- (8):Special option:
0=No special option
- (9):Packing mode:
4=Bag packing

SPECIFICATION:

- 1.Rating : DC 12V 1A;
- 2.Contact resistance: ≤30mΩ;
- 3.Insulation resistance: ≥100MΩ (DC250V);
- 4.Withstand voltage: 500VAC ;
- 5.Insertion and extraction force: 3-30N;
- 6.life test: 5,000 cycles;
- 7. Operation temperature range:-20°C~70°C;
- 8.Preservative temperature range:-40°C~85°C;



P.C.B Layout
(Copper-sided view)



DC MATE PLUG

| Model No. | G | H | I | J |
|--------------|-------|------|-------|------|
| CENTER PIN | φ1.65 | φ2.0 | φ2.35 | φ2.5 |
| DC MATE PLUG | φ4.0 | φ5.5 | φ5.5 | φ5.5 |

○: ITEM NO. □: TERMINAL NO.

| NO. | PARTS | MATERIAL | Q'TY | FINISHING | TOLERANCE | ANGLES | UNITS |
|-----|---------------------|--------------|------|--------------------|-----------|--------|----------|
| ⑥ | Shield plate | Brass t=0.25 | 1 | Nickel(Ni) Plating | ±0.3 | ±2° | mm |
| ⑤ | Shunt terminal | Brass t=0.3 | 1 | Silver(Ag) Plating | | | MAT'L |
| ④ | Tip spring | SUS301 t=0.3 | 1 | Silver(Ag) Plating | | | SEE NOTE |
| ③ | Center pin terminal | Brass t=0.3 | 1 | Silver(Ag) Plating | | | FINISH |
| ② | Center pin | Brass | 1 | Nickel(Ni) Plating | | | SEE NOTE |
| ① | Housing | PBT UL94V-0 | 1 | | | | Q'TY |

THESE DRAWINGS AND SPECIFICATIONS ARE THE PROPERTY OF ACCURATE INNO TECH INC AND SHALL NOT BE REPRODUCED, COPIED OR USED IN ANY MANNER WITHOUT THE PRIOR WRITTEN CONSENT OF ACCURATE INNO TECH INC.

| | | | | | | | |
|------------------------|--|------------|------------|--------------------------|------------------|----------------------|--|
| 东莞市腾兴电子有限公司 | | | | TITLE: DIP DC POWER JACK | | PART NO.: DCB0-0036A | |
| | | | | DR: Ricky 2019/04/12 | | DWG NO.: AB0-0036A | |
| CHKD: Ricky 2019/04/12 | | SCALE: 1:1 | SHEET: 1/1 | REV: A | CUSTOMER DRAWING | | |
| APPD: | | | | | | | |