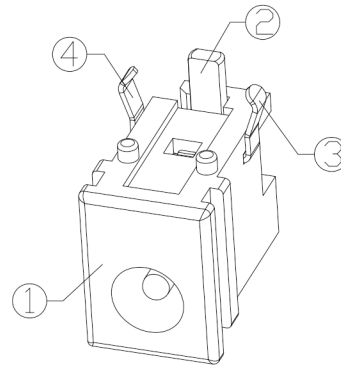
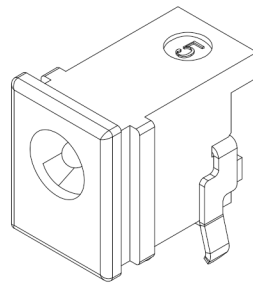
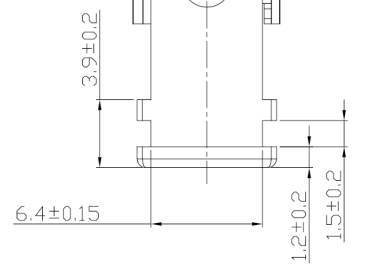




RoHS  
Compliant  
2002/95/EC

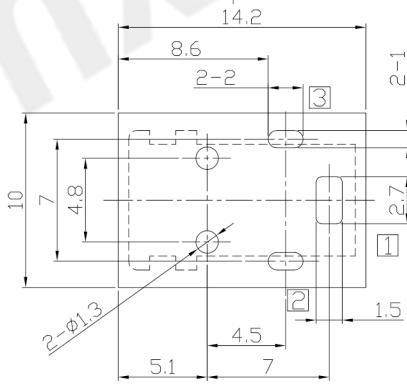
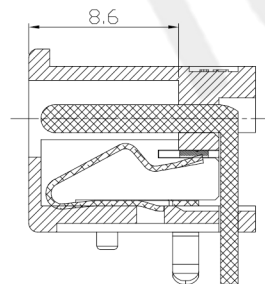
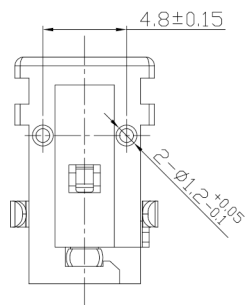
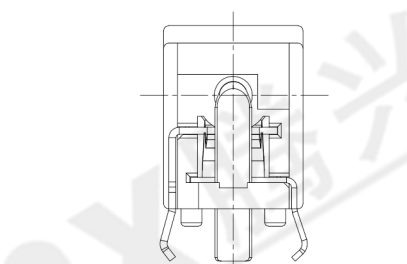
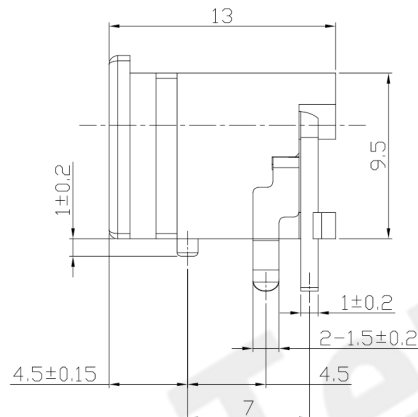
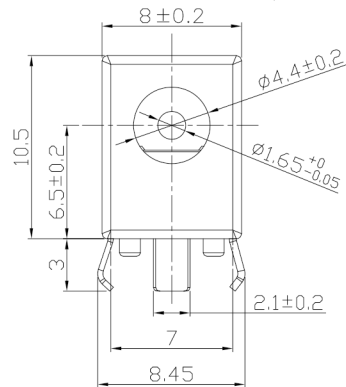
REV.	ECN. NO.	APPD.

DIMENSIONS

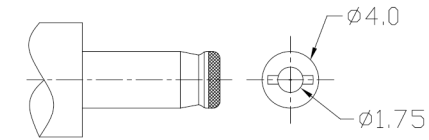
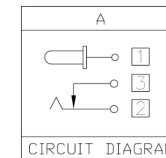


MODEL CODE:  
 DCB0-0039C- A G 66 BK S 0 3  
 (1) (2) (3)(4)(5) (6) (7)(8) (9)  
 (1):Series type:DIP DC POWER JACK.  
 (2):Series No.  
 (3):Schematic option: A  
 (4):Center pin diameter:  
 G=Ø1.65  
 (5):Material of housing:  
 66=PA66(Standard)  
 (6):Housing color:  
 BK=Black  
 (7):Terminal plating  
 S=Silver(Ag)  
 (8):Special option:  
 0=No special option  
 (9):Packing mode:  
 3=Plastic box packing

SPECIFICATION:  
 1.Rating : DC 16V 3A;  
 2.Contact resistance: ≤30mΩ;  
 After test:≤50mΩ  
 3.Insulation resistance: ≥100MΩ (DC500V);  
 After test:≥50MΩ  
 4.Withstand voltage: 500VAC ;  
 5.Insertion and extraction force: 3-30N;  
 6.life test: 5,000 cycles;  
 7.Operation temperature range:-20°C~70°C;  
 8.Preservative temperature range:-40°C~85°C;



RECOMMENDED P.C.B. LAYOUT  
 UNSPECIFIED TOLERANCE:±0.05  
 (BOTTOM VIEW)



DC MATE PLUG

○: ITEM NO. □: TERMINAL NO.

NO.	PARTS	MATERIAL	Q'TY	FINISHING	TOLERANCE	ANGLES	UNITS
④	Shunt terminal ③	Brass t=0.4	1	Silver plating	±0.3	±2°	mm
③	Tip spring ②	Phosphor bronze t=0.3	1	Silver plating			
②	Center pin ①	Brass	1	Silver plating			
①	Housing	PA66	1	Black			

THESE DRAWINGS AND SPECIFICATIONS ARE THE PROPERTY OF ACCURATE INNOVATECH INC AND SHALL NOT BE REPRODUCED, COPIED OR USED IN ANY MANNER WITHOUT THE PRIOR WRITTEN CONSENT OF ACCURATE INNOVATECH INC.

东莞市腾兴电子有限公司

TITLE: DIP DC POWER JACK	PART NO.: DCB0-0039C
DR: Ricky 2019/04/12	DWG NO.: AB0-0039C
CHKD: Ricky 2019/04/12	SCALE SHEET REV. CUSTOMER DRAWING
APPD:	1:1 1/1 A