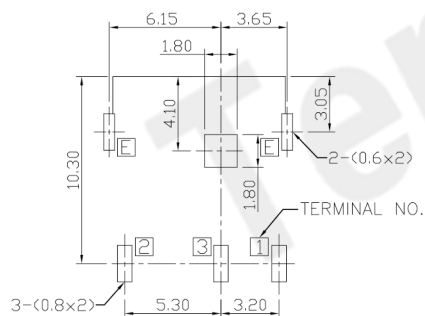
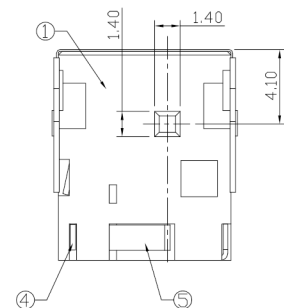
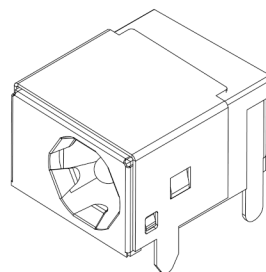
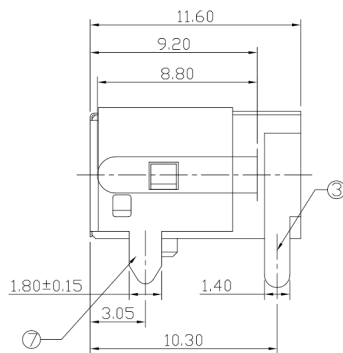
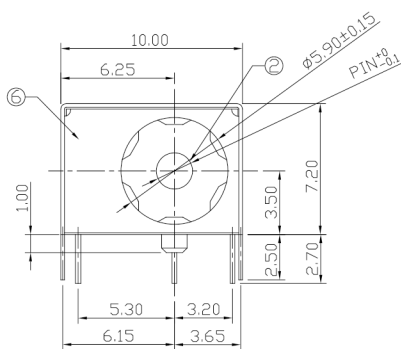




**RoHS Compliant**  
2002/95/EC

### DIMENSIONS



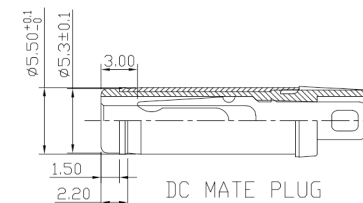
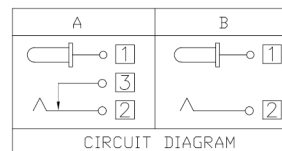
PCB HOLES(BOTTOM VIEW) t=1.6mm  
NOTE:GENERAL TOLERANCE:±0.05mm

### MODEL CODE:

- DCB0-0044H- A □ 9T BK S 0 1  
(1) (2) (3)(4) (5) (6) (7)(8) (9)
- (1):Series type:DIP DC POWER JACK.
  - (2):Series No.
  - (3):Schematic option: A , B
  - (4):Center pin diameter:  
G=φ1.65 , H=φ2.0 , J=φ2.5
  - (5):Material of housing:  
9T=PA9T
  - (6):Housing color:  
BK=Black (Standard)
  - (7):Terminal plating  
S=Ag:8u"  
A=Ag:20u"
  - (8):Special option:  
0=No special option
  - (9):Packing mode:  
1=Reel packing  
3=Plastic box packing  
4=Bag packing

### SPECIFICATION:

- 1.Rating : DC 25V 3A;
- 2.Contact resistance: ≤50mΩ;  
After test:≤100mΩ
- 3.Insulation resistance: ≥100MΩ (DC500V);  
After test:≥50MΩ
- 4.Withstand voltage: 500VAC ;
- 5.Insertion and extraction force: 3-30N;
- 6.life test: 5,000 cycles;
- 7.Operation temperature range:-20°C~70°C;
- 8.Preservative temperature range:-40°C~85°C;



Model No.	G	H	J
CENTER PIN	φ1.65	φ2.0	φ2.5

○: ITEM NO. □: TERMINAL NO.

NO.	PARTS	MATERIAL	Q'TY	FINISHING	TOLERANCE	ANGLES	UNITS	mm
7	Ground shield	Brass t=0.20	1	Ni:40u"Min	.X ±0.50	X ±5°	MAT'L	
6	Shield plate	Stainless steel t=0.10	1		.XX ±0.30	.X ±3°	SEE NOTE	
5	Shunt Terminal	Brass t=0.30	1	Ag:8u"/Ag:20u"				
4	Tip Spring	Phosphor Bronze t=0.30	1	Ag:8u"/Ag:20u"	.XXX ±0.15	.XX ±2°	FINISH	
3	Center pin contact	Brass t=0.25	1	Ag:8u"/Ag:20u"			SEE NOTE	
2	Center pin	Copper alloy	1	Ni:40u"Min			Q'TY	
1	Housing	HIGH TEMP. THERMOPLASTIC	1	Black				

THESE DRAWINGS AND SPECIFICATIONS ARE THE PROPERTY OF ACCURATE INNO TECH INC AND SHALL NOT BE REPRODUCED, COPIED OR USED IN ANY MANNER WITHOUT THE PRIOR WRITTEN CONSENT OF ACCURATE INNO TECH INC.



**东莞市腾兴电子有限公司**

TITLE:	DIP DC POWER JACK	PART NO.:	DCB0-0044H
DR:	Ricky 2019/04/29	DWG NO.:	AB0-0044H
CHKD:	Ricky 2019/04/29	SCALE	SHEET
APPD:		1:1	1/1
		REV.	CUSTOMER DRAWING
		A	