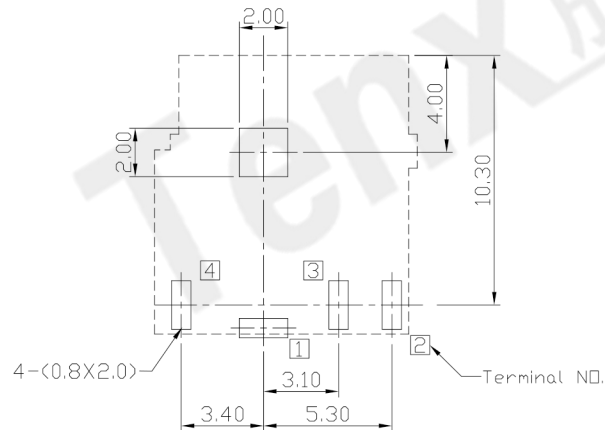
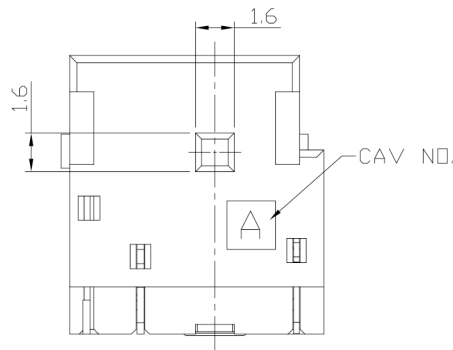
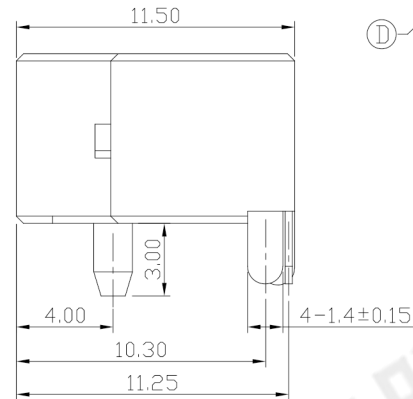
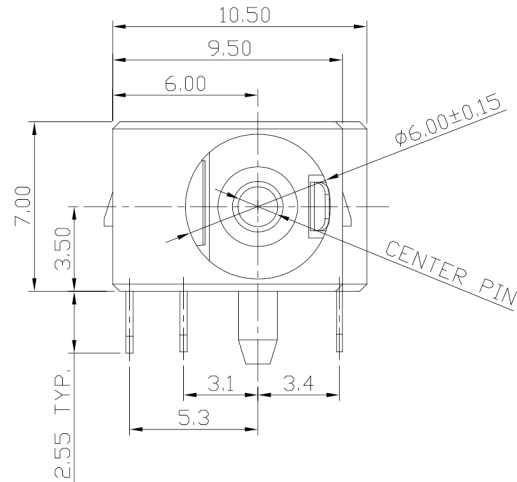


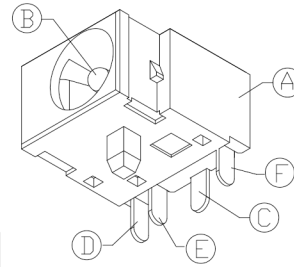


RoHS
Compliant
2002/95/EC

DIMENSIONS



RECOMMENDED P.C.B. LAYOUT
UNSPECIFIED TOLERANCE:±0.05
(TOP VIEW)



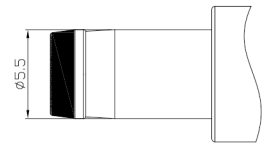
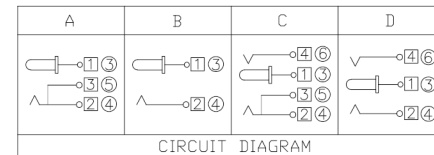
MODEL CODE:

DCB0-0044K- C □ 9T BK S 0 4

- (1):Series type:DIP DC POWER JACK.
- (2):Series No.
- (3):Schematic option: A , B , C , D
- (4):Center pin diameter:
G=φ1.65 , H=φ2.0 , J=φ2.5
- (5):Material of housing:
PB=PBT , 9T=PA9T
- (6):Housing color:
BK=Black (Standard)
- (7):Terminal plating
S=Silver(Ag) (Standard)
- (8):Special option:
0=No special option
H=Housing is Halogen Free
- (9):Packing mode:
3=Plastic box packing
4=Bag packing

SPECIFICATION:

- 1.Rating : DC 20V 3A;
- 2.Contact resistance : ≤50mΩ;
After test:≤100mΩ
- 3.Insulation resistance : ≥100MΩ (DC500V);
After test:≥50MΩ
- 4.Withstand voltage : 500VAC ;
- 5.Insertion and extraction force : 3-30N;
- 6.life test : 5,000 cycles;
- 7.Operation temperature range:-20°C~70°C;
- 8.Preservative temperature range:-40°C~85°C;



DC MATE PLUG

Model No.	G	H	J
CENTER PIN	φ1.65	φ2.0	φ2.5

○: ITEM NO. □: TERMINAL NO.

NO.	PARTS	MATERIAL	Q'TY	FINISHING	TOLERANCE	ANGLES	UNITS
Ⓕ	Tip spring-2	Bronze	1	Ag-Plating	.X ±0.50	X ±5°	mm
Ⓖ	Shunt terminal	Brass	1	Ag-Plating	.XX ±0.30	.X ±3°	MAT'L
Ⓓ	Tip spring-1	Stainless steel	1	Ag-Plating	.XXX ±0.15	.XX ±2°	SEE NOTE
Ⓒ	Center pin contact	Brass	1	Ag-Plating			FINISH
Ⓑ	Center pin	Brass	1	Ni-Plating			SEE NOTE
Ⓐ	Housing	PBT/PA9T	1	BLACK			Q'TY
NO.	PARTS	MATERIAL	Q'TY	FINISHING			

THESE DRAWINGS AND SPECIFICATIONS ARE THE PROPERTY OF ACCURATE INNO TECH INC AND SHALL NOT BE REPRODUCED, COPIED OR USED IN ANY MANNER WITHOUT THE PRIOR WRITTEN CONSENT OF ACCURATE INNO TECH INC.

东莞市腾兴电子有限公司

TITLE: DIP DC POWER JACK	PART NO.: DCB0-0044K
DR: Ricky 2019/04/29	DWG NO.: AB0-0044K
CHKD: Ricky 2019/04/29	SCALE SHEET REV. CUSTOMER DRAWING
APPD:	1:1 1/1 A