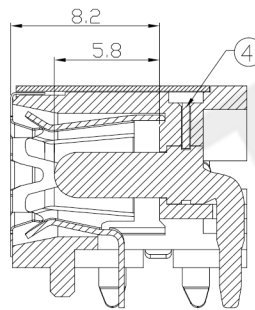
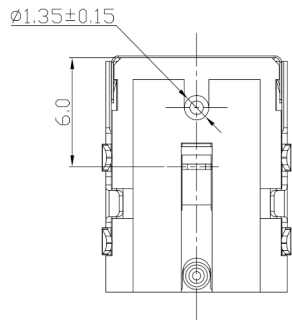
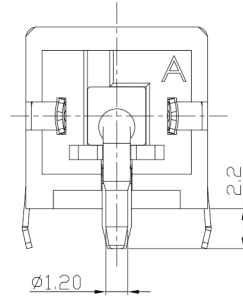
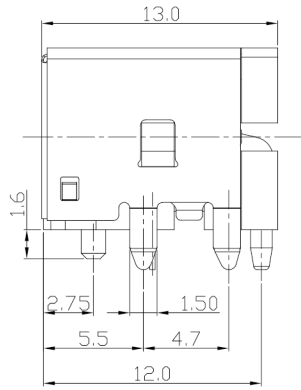
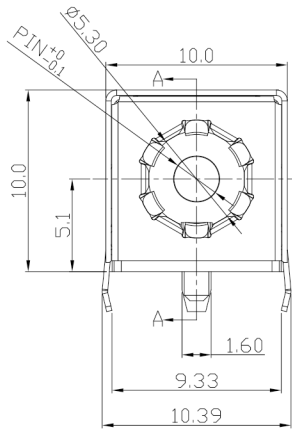




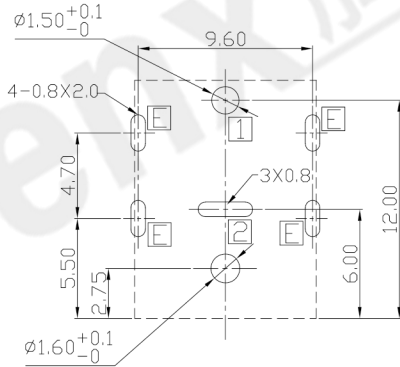
RoHS  
Compliant  
2002/95/EC

Halogen Free

DIMENSIONS



SECTION A-A  
(Short Center pin end is Circle)



RECOMMENDED P.C.B. LAYOUT  
UNSPECIFIED TOLERANCE: ±0.05  
(TOP VIEW)

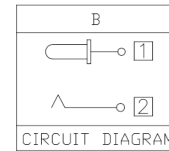
MODEL CODE:

DCB0-0146F- B □ 10 BK S 0 1  
(1) (2) (3)(4) (5) (6) (7)(8) (9)

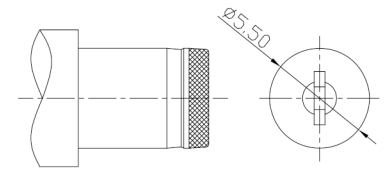
- (1):Series type:DIP DC POWER JACK.
- (2):Series No.
- (3):Schematic option: B
- (4):Center pin diameter:  
G=φ1.65 , H=φ2.0 , J=φ2.5
- (5):Material of housing:  
10=PA10T(Standard)
- (6):Housing color:  
BK=Black , 3C=Orange(157C)
- (7):Terminal plating  
T=Tin(Sn) , S=Silver(Ag)
- (8):Special option:  
0=No Special Option  
G=Center pin is Gold(Au) plating
- (9):Packing mode:  
1=Reel packing  
3=Plastic box packing  
4=Bag packing

SPECIFICATION:

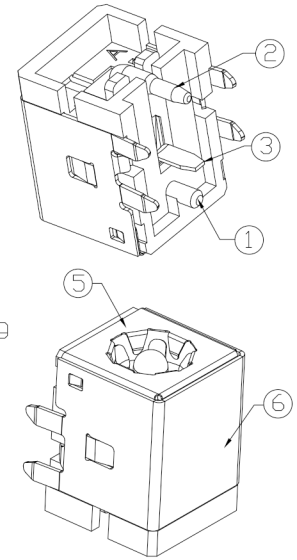
- 1.Rating : DC 20V 8A;
- 2.Contact resistance: ≤30mΩ;  
After test:≤50mΩ
- 3.Insulation resistance: ≥100MΩ (DC500V);  
After test:≥50MΩ
- 4.Withstand voltage: 500VAC;
- 5.Insertion and extraction force: 3-30N;
- 6.life test: 5,000 cycles;
- 7.Operate temperature range:-20°C~70°C;
- 8.Preservative temperature range:-40°C~85°C;



Model No.	G	H	J
CENTER PIN	φ1.65	φ2.0	φ2.5



DC MATE PLUG



○: ITEM NO. □: TERMINAL NO.

NO.	PARTS	MATERIAL	Q'TY	FINISHING
⑥	Ground Terminal [E]	Copper Alloy	1	Ni plating
⑤	Shield plate	Stainless steel	1	
④	Terminal	Copper Alloy	1	
③	Tip spring [2]	Copper Alloy	1	See "Ordering info"
②	Center pin [1]	Zn Alloy	1	See "Ordering info"
①	Housing	High temp.Thermoplastic	1	Halogen Free, Black

THESE DRAWINGS AND SPECIFICATIONS ARE THE PROPERTY OF ACCURATE INNOVATECH INC AND SHALL NOT BE REPRODUCED, COPIED OR USED IN ANY MANNER WITHOUT THE PRIOR WRITTEN CONSENT OF ACCURATE INNOVATECH INC.

TOLERANCE	ANGLES	UNITS	mm
.X ±0.50	X ±5°	MAT'L	
.XX ±0.30	.X ±3°	SEE NOTE	
.XXX ±0.15	.XX ±2°	FINISH	
		SEE NOTE	
		Q'TY	

<b>东莞市腾兴电子有限公司</b>			
TITLE: DIP DC POWER JACK		PART NO.: DCB0-0146F	
DR: Ricky 2019/05/06		DWG NO.: AB0-0146F	
CHKD: Ricky 2019/05/06		SCALE	SHEET
APPD:		1:1	1/1
		REV. A	CUSTOMER DRAWING