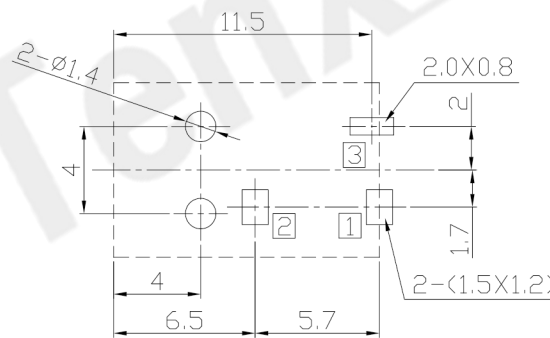
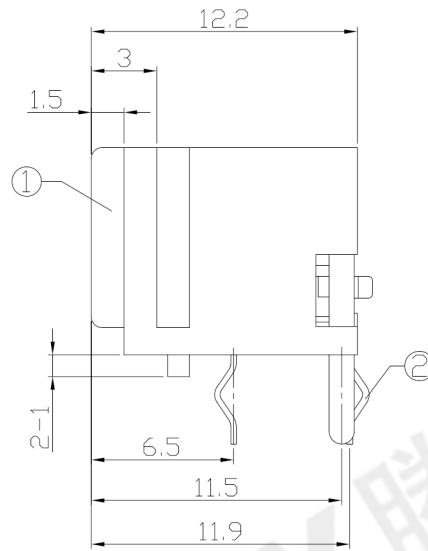
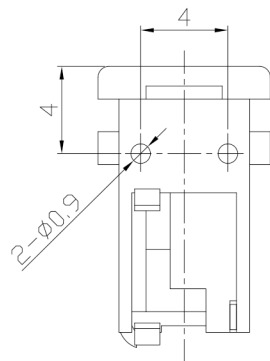
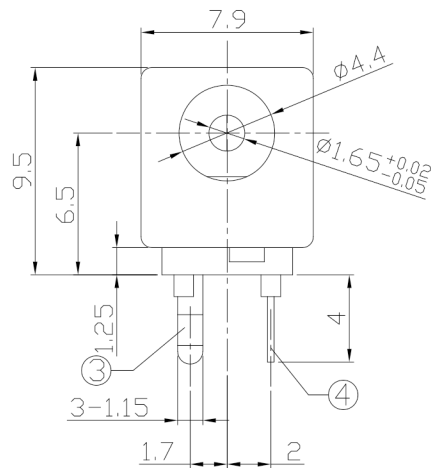




RoHS
Compliant
2002/95/EC

REV.	ECN.	NO.	APPD.

DIMENSIONS



P.C.B Layout
(Copper-sided view)

MODEL CODE:

DCB0-00280- A G PB BK I 0 4

(1) (2) (3)(4) (5) (6) (7)(8) (9)

(1):Series type:DIP DC POWER JACK.

(2):Series No.

(3):Schematic option: A , B

(4):Center pin diameter:

G=01.65

(5):Material of housing:

PB=PBT (Standard)

(6):Housing color:

BK=Black (Standard)

(7):Terminal plating

T=Tin(Sn)

(8):Special option:

0=No special option

(9):Packing mode:

4=Bag packing

SPECIFICATION:

1.Rating : DC 30V 1A;

2.Contact resistance: $\leq 30m\Omega$;

3.Insulation resistance: $\geq 100M\Omega$ (DC500V);

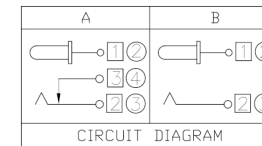
4.Withstand voltage: 500VAC ;

5.Insertion and extraction force: 3-30N;

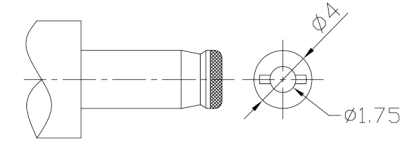
6.life test: 5,000 cycles;

7.Operation temperature range:-20°C~70°C;

8.Preservative temperature range:-40°C~85°C;



CIRCUIT DIAGRAM



DC MATE PLUG

○: ITEM NO. □: TERMINAL NO.

NO.	PARTS	MATERIAL	Q'TY	FINISHING	TOLERANCE	ANGLES	UNITS	mm				
④	Shunt terminal	Brass t=0.3	1	Sn-Plating	±0.3	±2°	MAT'L	SEE NOTE				
③	Tip spring	Bronze t=0.25	1	Sn-Plating			FINISH	SEE NOTE				
②	Center pin	Brass t=0.3	1	Sn-Plating			Q'TY					
①	Housing	PBT UL94V-0	1									
					<p>THESE DRAWINGS AND SPECIFICATIONS ARE THE PROPERTY OF ACCURATE INNO TECH INC AND SHALL NOT BE REPRODUCED, COPIED OR USED IN ANY MANNER WITHOUT THE PRIOR WRITTEN CONSENT OF ACCURATE INNO TECH INC.</p>							
								<p>东 莞 市 腾 兴 电 子 有 限 公 司</p>				
							TITLE:	DIP DC POWER JACK	PART NO.:	DCB0-00280		
							DR:	Ricky 2019/04/11	DWG NO.:	AB0-00280		
							CHKD:	Ricky 2019/04/11	SCALE	SHEET	REV.	CUSTOMER DRAWING
							APPD:		1:1	1/1	A	