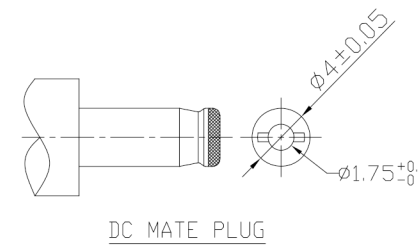
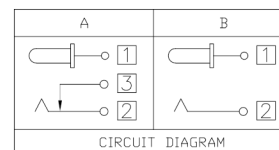
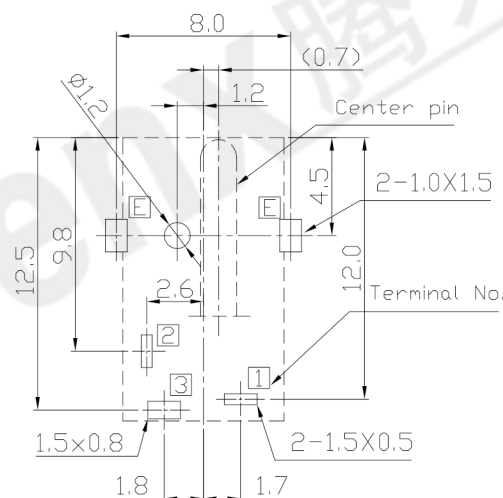
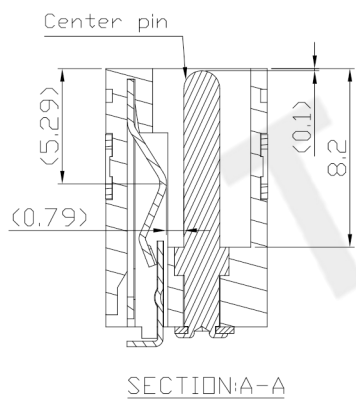
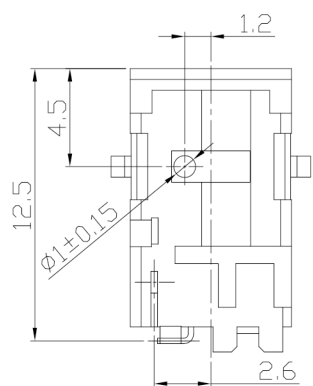
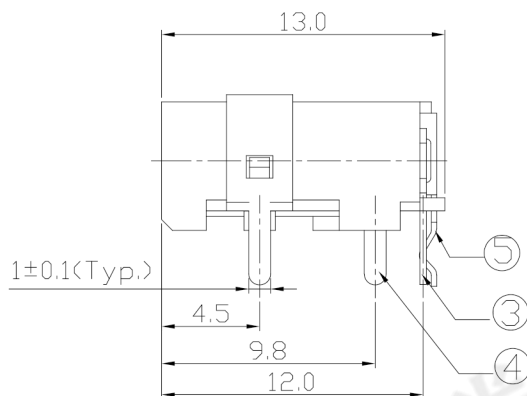
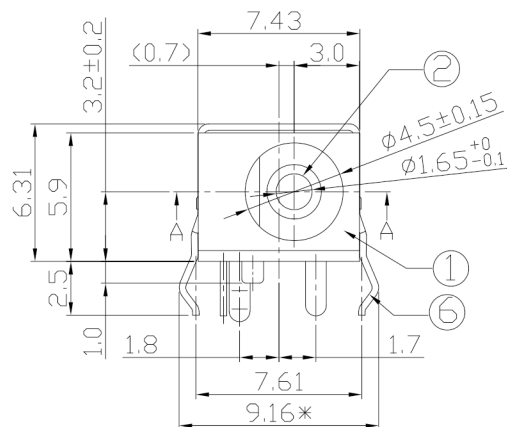




RoHS Compliant
2002/95/EC

DIMENSIONS



SPECIFICATION:

- 1.Rating : DC 20V 3A;
- 2.Contact resistance : $\leq 30m\Omega$;
After test: $\leq 50m\Omega$
- 3.Insulation resistance : $\geq 100M\Omega$ (DC500V);
After test: $\geq 50M\Omega$
- 4.Withstand voltage : 500VAC ;
- 5.Insertion and extraction force : 3-30N;
- 6.life test : 5,000 cycles;
- 7.Operation temperature range:-20°C~70°C;
- 8.Preservative temperature range:-40°C~85°C;

MODEL CODE:

- DCB0-00300- A G PB BK S 0 3
(1) (2) (3)(4) (5) (6) (7)(8) (9)
- (1):Series type:DIP DC POWER JACK.
 - (2):Series No.
 - (3):Schematic option: A , B
 - (4):Center pin diameter:
G=φ1.65
 - (5):Material of housing:
PB=PBT (Standard) 46=PA46
 - (6):Housing color:
BK=Black (Standard)
4B=Yellow(0190=PBT)
 - (7):Terminal plating
S=Silver(Ag) (Standard)
 - (8):Special option:
0=No special option
 - (9):Packing mode:
3=Plastic box packing
4=Bag packing

REV.	ECN. NO.	APPD.

○: ITEM NO. □: TERMINAL NO.

NO.	PARTS	MATERIAL	Q'TY	FINISHING	TOLERANCE	ANGLES	UNITS
6	Earth terminal	Brass t=0.3	1	Silver plating	±0.3	±2°	mm
5	Shunt terminal	Brass t=0.25	1	Silver plating			MAT'L
4	Tip spring	Phosphor bronze t=0.3	1	Silver plating	SEE NOTE		SEE NOTE
3	Center pin terminal	Brass t=0.3	1	Silver plating			FINISH
2	Center pin	Copper alloy	1	Nickel plating			SEE NOTE
1	Housing	PBT/PA46	1				Q'TY

THESE DRAWINGS AND SPECIFICATIONS ARE THE PROPERTY OF ACCURATE INNOVATECH INC AND SHALL NOT BE REPRODUCED, COPIED OR USED IN ANY MANNER WITHOUT THE PRIOR WRITTEN CONSENT OF ACCURATE INNOVATECH INC.

东莞市腾兴电子有限公司

TITLE:	DIP DC POWER JACK	PART NO.:	DCB0-00300
DR:	Ricky 2019/04/11	DWG NO.:	AB0-00300
CHKD:	Ricky 2019/04/11	SCALE	SHEET
APPD:		1:1	1/1
		REV.	CUSTOMER DRAWING
		A	

