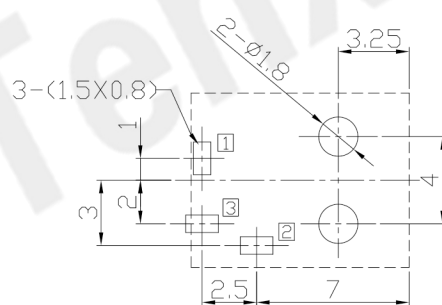
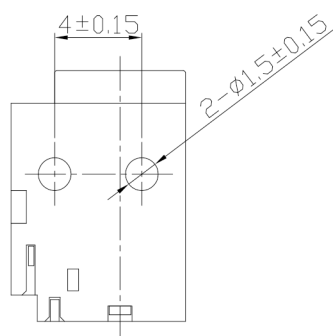
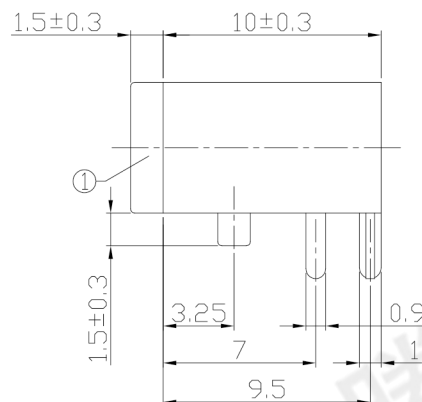
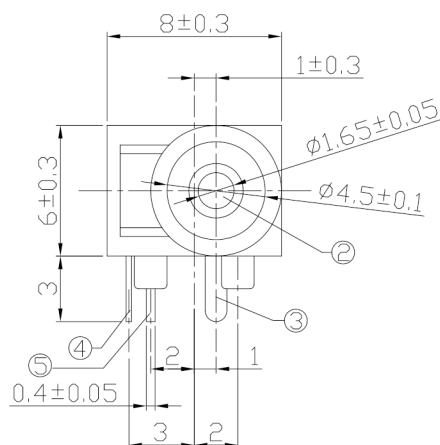




RoHS Compliant
2002/95/EC

REV.	ECN.	NO.	APPD.

DIMENSIONS



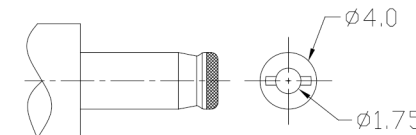
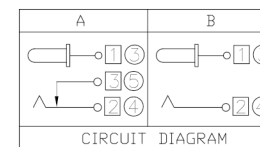
RECOMMENDED P.C.B. LAYOUT
UNSPECIFIED TOLERANCE:±0.05
(TOP VIEW)

MODEL CODE:

- DCB0-00430- A G PB BK S 0 4
 (1) (2) (3)<(4)<(5) (6) (7)<(8) (9)
 (1):Series type:DIP DC POWER JACK.
 (2):Series No.
 (3):Schematic option: A , B
 (4):Center pin diameter:
 G=φ1.65
 (5):Material of housing:
 PB=PBT (Standard)
 (6):Housing color:
 BK=Black (Standard)
 (7):Terminal plating
 S=Silver(Ag)
 (8):Special option:
 0=No special option
 (9):Packing mode:
 4=Bag packing

SPECIFICATION:

- Rating : DC 30V 1A;
- Contact resistance : ≤30mΩ;
After test:≤50mΩ
- Insulation resistance : ≥100MΩ (DC500V);
After test:≥50MΩ
- Withstand voltage: 500VAC ;
- Insertion and extraction force: 3-30N;
- life test: 5,000 cycles;
- Operation temperature range:-20°C~70°C;
- Preservative temperature range:-40°C~85°C;



DC MATE PLUG

○: ITEM NO. □: TERMINAL NO.

NO.	PARTS	MATERIAL	Q'TY	FINISHING	TOLERANCE	ANGLES	UNITS mm	东莞市腾兴电子有限公司						
⑤	Shunt terminal ③	Copper Alloy	1	Silver	.X ±0.50	X ±5'	MAT'L	SEE NOTE		TITLE: DIP DC POWER JACK		PART NO.: DCB0-00430		
④	Tip spring ②	Copper Alloy	1	Silver	.XX ±0.30	.X ±3'	FINISH	SEE NOTE		DR: Ricky 2019/04/12		DWG NO.: AB0-00430		
③	Center pin terminal ①	Copper Alloy	1	Silver	.XXX ±0.15	.XX ±2'	Q'TY	SEE NOTE		CHKD: Ricky 2019/04/12		SCALE SHEET REV. CUSTOMER DRAWING		
②	Center pin ①	Copper Alloy	1	Copper&tin alloy/Ni						APPD:		1:1 1/1 A		
①	Housing	Thermoplastic	1	Black										
					THESE DRAWINGS AND SPECIFICATIONS ARE THE PROPERTY OF ACCURATE INNO TECH INC AND SHALL NOT BE REPRODUCED, COPIED OR USED IN ANY MANNER WITHOUT THE PRIOR WRITTEN CONSENT OF ACCURATE INNO TECH INC.									