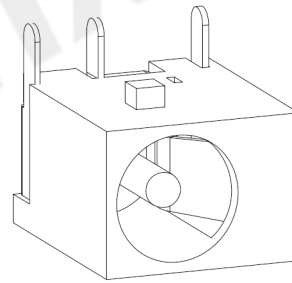
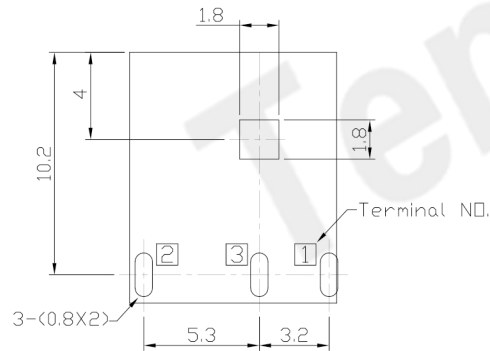
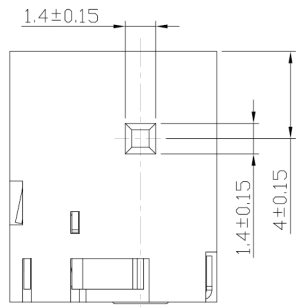
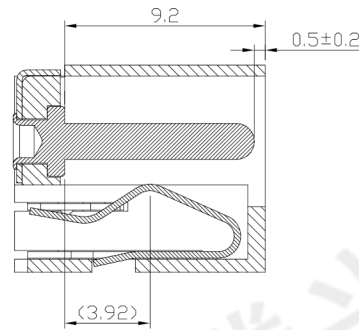
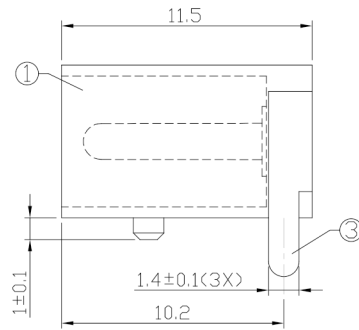
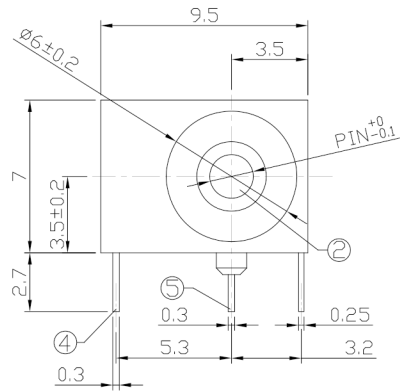




RoHS Compliant
2002/95/EC

DIMENSIONS



RECOMMENDED P.C.B. LAYOUT
UNSPECIFIED TOLERANCE:±0.05
(BOTTOM VIEW)

○: ITEM NO. □: TERMINAL NO.

MODEL CODE:

DCB0-00440- A □ PB BK S 0 4

(1) (2) (3)(4) (5) (6) (7)(8) (9)

(1):Series type:DIP DC POWER JACK.

(2):Series No.

(3):Schematic option: A

(4):Center pin diameter:

G=φ1.65 , H=φ2.0 , J=φ2.5

(5):Material of housing:

PB=PBT , 9T=PA9T

(6):Housing color:

BK=Black , 9A=White(0010=PBT)

(7):Terminal plating

S=Silver(Ag)

(8):Special option:

0=No special option

B=Stainless steel for 2#CONTACT

(9):Packing mode:

1=Reel packing

4=Bag packing

SPECIFICATION:

1.Rating : DC 25V 3A;

2.Contact resistance: ≤30mΩ;

After test:≤50mΩ

3.Insulation resistance: ≥100MΩ (DC500V);

After test:≥50MΩ

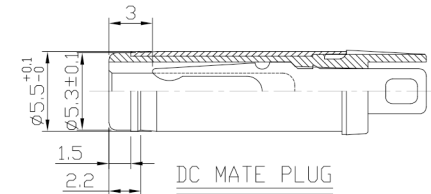
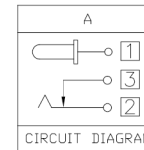
4.Withstand voltage: 500VAC ;

5.Insertion and extraction force: 3-30N;

6.life test: 5,000 cycles;

7.Operation temperature range:-20°C~70°C;

8.Preservative temperature range:-40°C~85°C;



Model No.	G	H	J
CENTER PIN	φ1.65	φ2.0	φ2.5

NO.	PARTS	MATERIAL	Q'TY	FINISHING	TOLERANCE	ANGLES	UNITS
⑤	Shunt terminal ③	Brass t=0.3	1	Silver plating	±0.3	±2°	mm
④	Tip spring ②	Phosphor bronze t=0.3	1	Silver plating			SEE NOTE
③	Center pin contact ①	Brass t=0.25	1	Silver plating			FINISH SEE NOTE
②	Center pin	Brass	1	Ni plating			Q'TY
①	Housing	PBT/PA9T	1				

THESE DRAWINGS AND SPECIFICATIONS ARE THE PROPERTY OF ACCURATE INNO TECH INC AND SHALL NOT BE REPRODUCED, COPIED OR USED IN ANY MANNER WITHOUT THE PRIOR WRITTEN CONSENT OF ACCURATE INNO TECH INC.

东莞市腾兴电子有限公司

TITLE:	DIP DC POWER JACK	PART NO.:	DCB0-00440
DR:	Ricky 2019/04/29	DWG NO.:	AB0-00440
CHKD:	Ricky 2019/04/29	SCALE	1:1
APPD:		SHEET	1/1
		REV.	A
		CUSTOMER DRAWING	