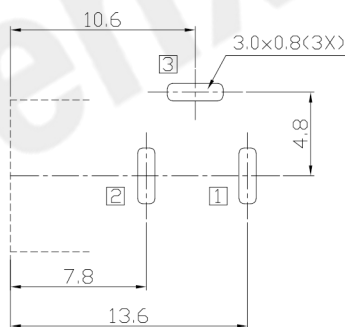
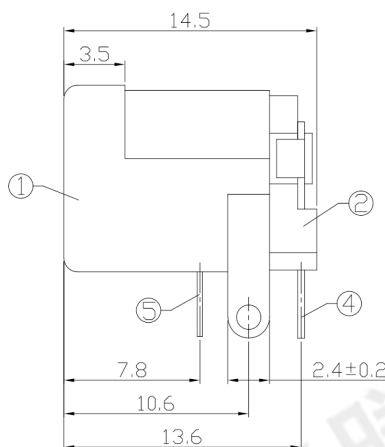
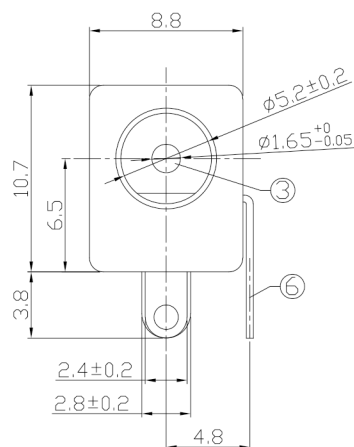




RoHS
Compliant
2002/95/EC

REV.	ECN.	NO.	APPD.

DIMENSIONS



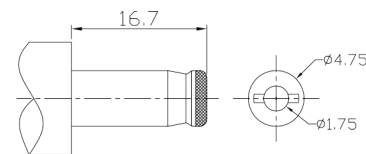
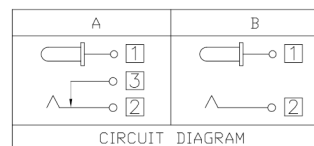
RECOMMENDED P.C.B. LAYOUT
UNSPECIFIED TOLERANCE:±0.05
(BOTTOM VIEW)

MODEL CODE:

DCB0-5005C- A G PB BK T 0 4
 (1) (2) (3)(4) (5) (6) (7)(8) (9)
 (1):Series type:DIP DC POWER JACK.
 (2):Series No.
 (3):Schematic option: A , B
 (4):Center pin diameter:
 G=φ0.65
 (5):Material of housing:
 PB=PBT , 9T=PA9T
 (6):Housing color:
 BK=Black
 4P=Yellow(Pantone 114C)
 (7):Terminal plating
 T=Tin(Sn)
 (8):Special option:
 0=No special option
 (9):Packing mode:
 4=Bag packing

SPECIFICATION:

- Rating : DC 20V 3A;
- Contact resistance: ≤30mΩ;
After test:≤50mΩ
- Insulation resistance: ≥100MΩ (DC500V);
After test:≥50MΩ
- Withstand voltage: 500VAC ;
- Insertion and extraction force: 3-30N;
- life test: 5,000 cycles;
- Operation temperature range:-20°C~70°C;
- Preservative temperature range:-40°C~85°C;

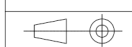


DC MATE PLUG

○: ITEM NO. □: TERMINAL NO.

NO.	PARTS	MATERIAL	Q'TY	FINISHING	TOLERANCE	ANGLES	UNITS
⑥	Shunt terminal ③	Brass t=0.4	1	Tin Plating	±0.3	±2°	mm
⑤	Tip spring ②	Phosphor bronze t=0.3	1	Tin Plating			MAT'L
④	Center pin terminal ①	Brass t=0.4	1	Tin Plating			SEE NOTE
③	Center pin	Copper alloy	1	Nickel plating			FINISH
②	Cover	PBT/PA9T	1	Black			SEE NOTE
①	Housing	PBT/PA9T	1	See p/n info			Q'TY

THESE DRAWINGS AND SPECIFICATIONS ARE THE PROPERTY OF ACCURATE INNOVATECH INC AND SHALL NOT BE REPRODUCED, COPIED OR USED IN ANY MANNER WITHOUT THE PRIOR WRITTEN CONSENT OF ACCURATE INNOVATECH INC.



东莞市腾兴电子有限公司

TITLE: DIP DC POWER JACK		PART NO.: DCB0-5005C	
DR: Ricky 2019/05/06		DWG NO.: AB0-5005C	
CHKD: Ricky 2019/05/06		SCALE	SHEET
APPD:		1:1	1/1
		REV.	CUSTOMER DRAWING
		A	