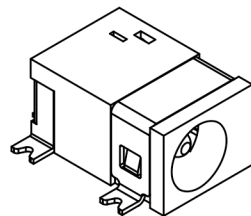




RoHS
Compliant
2002/95/EC

Halogen Free

DIMENSIONS



REV.	ECN.	NO.	APPD.

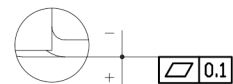
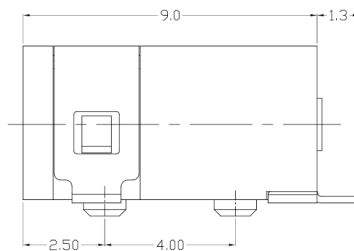
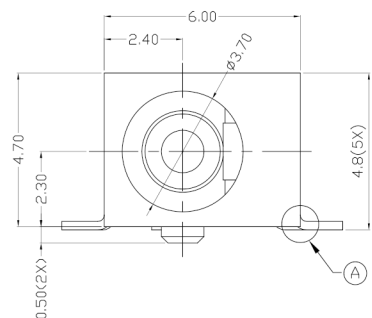
MODEL CODE:

DCT0-073DHS- A □ 10 BK S 0 1

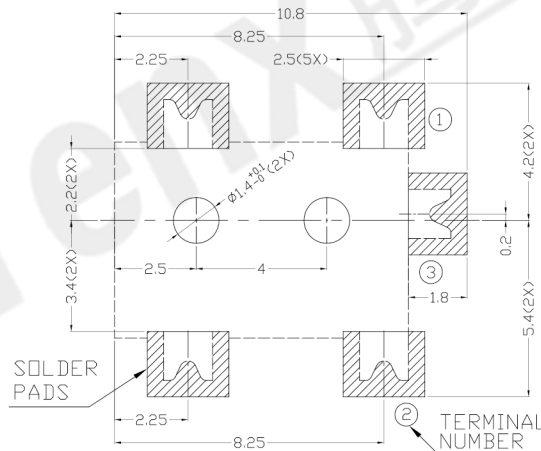
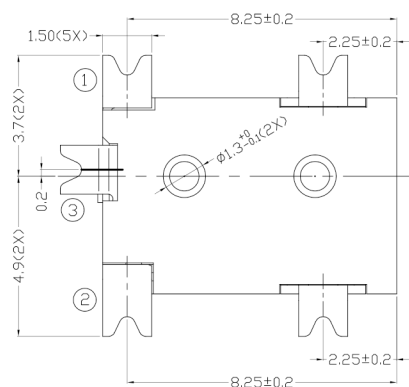
- (1):Series type:SMD DC POWER JACK.
- (2):Series No.
- (3):Schematic option: A
- (4):Center pin diameter:
C=∅1.0mm,E=∅1.3mm
- (5):Material of housing:
10=PA10T
- (6):Housing color:
BK=Black
- (7):Terminal plating:
S=Silver(Ag)
- (8):Special option:
0=No special option
- (9):Packing mode:
1=Reel packing

Specification:

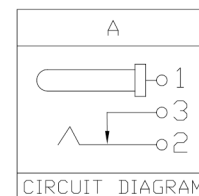
- 1.Rating : 3.5A/16V DC Max.
- 2.Contact resistance : ≤30mΩ
After test:≤60mΩ
- 3.Insulation resistance : ≥100MΩ (DC500V).
After test:≥50MΩ
- 4.Withstanding voltage : 500VAC.
- 5.Insertion and extraction force : 0.3~3Kgs.
- 6.Life test : 5,000cycles min.
- 7.Operation temperature range:-25℃~85℃.



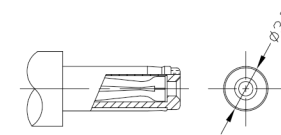
A DETAIL COPLANARITY



RECOMMENDED P.C.B. LAYOUT
TOLERANCE:±0.05
(TOP VIEW)



MODEL NO.	C	E
CENTER PIN	∅1.0mm	∅1.3mm



DC MATE PLUG

Bill of materials:

NO.	PARTS	MATERIAL	Q'TY	FINISHING
6	CENTER PIN	COPPER	1	NICKEL PLATED
5	TERMINAL 1	BRASS	1	SILVER PLATED
4	TERMINAL 2	COPPER ALLOY	1	SILVER PLATED
3	TERMINAL 3	BRASS	1	SILVER PLATED
2	SHIELD	BRASS	1	NICKEL PLATED
1	HOUSING	PA10T	1	UL94V-0

THESE DRAWINGS AND SPECIFICATIONS ARE THE PROPERTY OF ACCURATE INNOVATION INC AND SHALL NOT BE REPRODUCED, COPIED OR USED IN ANY MANNER WITHOUT THE PRIOR WRITTEN CONSENT OF ACCURATE INNOVATION INC.

TOLERANCE	±0.3
ANGLES	±2°
UNITS	mm
MAT'L	SEE NOTE
FINISH	SEE NOTE
Q'TY	SEE NOTE

东莞市腾兴电子有限公司

TITLE: SMD DC POWER JACK	PART NO.: DCT0-073DHS
DR: Ricky 2018/10/05	DWG NO.: AT0-073DHS
CHKD: Ricky 2018/10/05	SCALE SHEET REV. CUSTOMER 1:1 1/1 A DRAWING