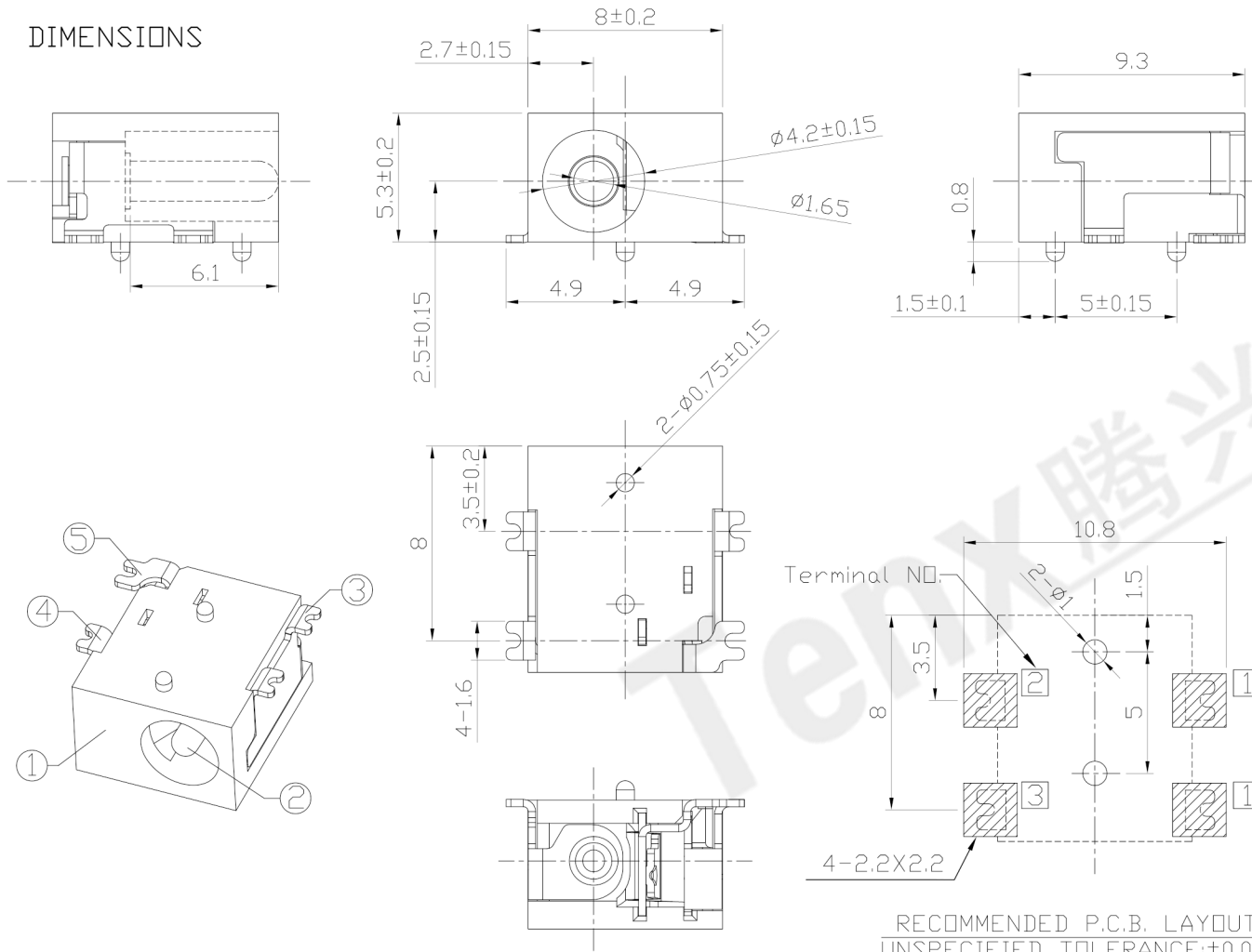




**RoHS Compliant**  
2002/95/EC

REV.	ECN.	NO.	APPD.

### DIMENSIONS



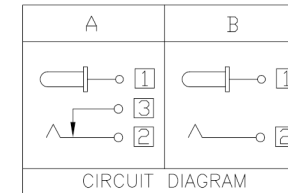
### MODEL CODE:

DCB0-0033A- A G 9T BK S 0 1

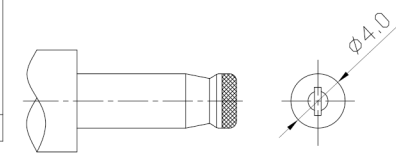
- (1) (2) (3)(4)(5) (6)(7)(8) (9)  
 (1):Series type:SMD DC POWER JACK.  
 (2):Series No.  
 (3):Schematic option: A,B  
 (4):Center pin diameter:  
 G=∅1.65  
 (5):Material of housing:  
 9T=PA9T(Standard)  
 (6):Housing color:  
 BK=Black  
 (7):Terminal plating:  
 S=Silver(Ag)  
 (8):Special option:  
 0=No special option  
 (9):Packing mode:  
 1=Reel packing

### SPECIFICATION

- Rating : DC 18V 5A;
- Contact resistance: ≤30mΩ;  
After test: ≤50mΩ;
- Insulation resistance: ≥100MΩ (DC500V);  
After test: ≥50MΩ
- Withstand voltage: 500VAC ;
- Insertion and extraction force: 3-30N;
- Life test: 5,000 cycles;
- Operation temperature range:-20°C~70°C;
- Preservative temperature range:-40°C~85°C;



Model No.	G
CENTER PIN	∅1.65



DC MATE PLUG

RECOMMENDED P.C.B. LAYOUT  
UNSPECIFIED TOLERANCE:±0.05  
(Copper-sided VIEW)

○: ITEM NO. □: TERMINAL NO.

NO.	PARTS	MATERIAL	Q'TY	FINISHING	TOLERANCE	ANGLES	UNITS
⑤	Shunt terminal ③	Brass,0.3t	1	Silver plating	±0.3	±2°	mm
④	Tip spring ②	Phosphor bronze,0.3t	1	Silver plating			
③	Center pin terminal ①	Brass,0.3t	1	Silver plating			
②	Center pin ①	Brass	1	CuSn/Ni plating			
①	Housing	PA9T UL94V-0	1				

THESE DRAWINGS AND SPECIFICATIONS ARE THE PROPERTY OF ACCURATE INNO TECH INC AND SHALL NOT BE REPRODUCED, COPIED OR USED IN ANY MANNER WITHOUT THE PRIOR WRITTEN CONSENT OF ACCURATE INNO TECH INC.

<p align="center"><b>东莞市腾兴电子有限公司</b></p>			
FINISH SEE NOTE		DR: <i>Ricky</i> 2018/06/15	DWG NO.: AB0-0033A
Q'TY		CHKD: <i>Ricky</i> 2018/06/15	SCALE SHEET REV. CUSTOMER 1:1 1/1 A DRAWING
APPD:			