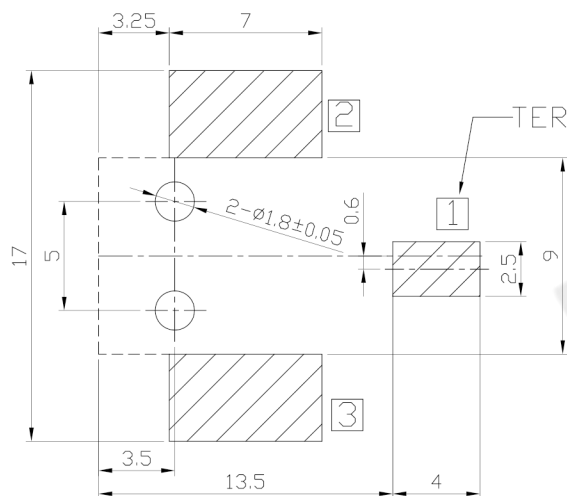
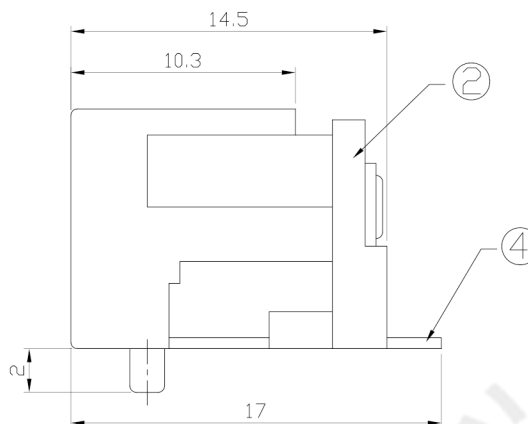
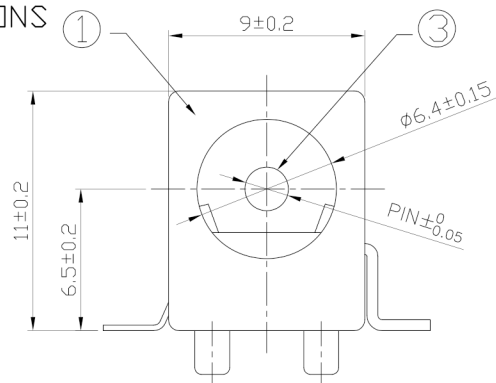




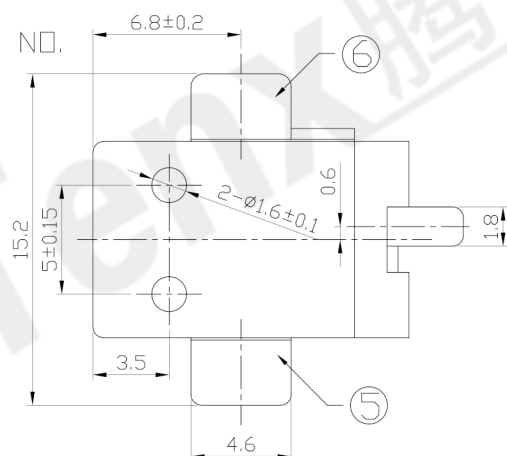
RoHS Compliant
2002/95/EC

REV.	ECN.	NO.	APPD.

DIMENSIONS



RECOMMENDED P.C.B. LAYOUT
UNSPECIFIED TOLERANCE:±0.05
(COPPER-TOP VIEW)



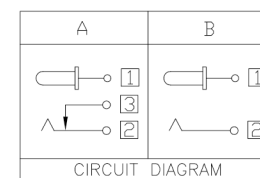
MODEL CODE:

DCB0-0088B- A □ 9T BK S 0 1

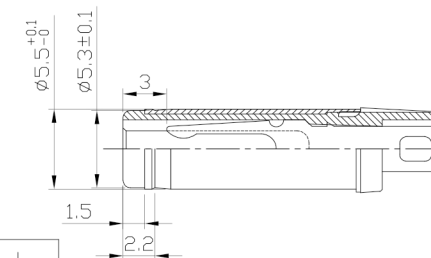
- (1) (2) (3)(4) (5) (6)(7)(8) (9)
 (1):Series type:SMD DC POWER JACK.
 (2):Series No.
 (3):Schematic option: A,B
 (4):Center pin diameter:
 H=φ2.0, J=φ2.5
 (5):Material of housing:
 9T=PA9T(Standard)
 (6):Housing color:
 BK=Black
 (7):Terminal plating:
 S=Silver(Ag)
 (8):Special option:
 0=No special option
 (9):Packing mode:
 1=Reel packing

SPECIFICATION

- Rating :DC 20V 5A ;
- Contact resistance :≤30mΩ ;
After test:≤50mΩ
- Insulation resistance : ≥100MΩ (DC250V) ;
After test:≥50MΩ
- Withstanding voltage :500VAC ;
- Insertion and extraction force :3-30N;
- life test :5,000 cycles;
- Operation temperature range:-20°C~70°C;
- Preservative temperature range:-40°C~85°C;



Model No.	H	J
CENTER PIN	φ2.0	φ2.5



DC MATE PLUG

○: ITEM NO. □: TERMINAL NO.

⑥	Shunt terminal ③	Brass t0.5	1	Silver plating	TOLERANCE	ANGLES	UNITS	东莞市腾兴电子有限公司 TITLE: SMD DC POWER JACK PART NO.: DCB0-0088B DR: Ricky 2018/06/25 DWG NO.: AB0-0088B CHKD: Ricky 2018/06/25 APPD:
⑤	Tip spring ②	Phosphor bronze t0.25	1	Silver plating	±0.3	±2°	mm	
④	Center pin terminal ①	Brass t0.5	1	Silver plating			SEE NOTE	
③	Center pin ①	Brass	1	Nickel plating			SEE NOTE	
②	Cover	PA9T	1	Black			FINISH	
①	Housing	PA9T	1	Black			Q'TY	
NO.	PARTS	MATERIAL	Q'TY	FINISHING	THESE DRAWINGS AND SPECIFICATIONS ARE THE PROPERTY OF ACCURATE INNOVATECH INC AND SHALL NOT BE REPRODUCED, COPIED OR USED IN ANY MANNER WITHOUT THE PRIOR WRITTEN CONSENT OF ACCURATE INNOVATECH INC.			SCALE: 1:1 SHEET: 1/1 REV: A CUSTOMER DRAWING

